

## Pillow block bearing pedestal type BPP



### Material:

Housing, steel  
Bearing, ball-bearing steel 100Cr6.  
Seal, rubber NBR.

### Version:

Housing, electro zinc-plated.

### Sample order:

nIm 24225-12201

### Note:

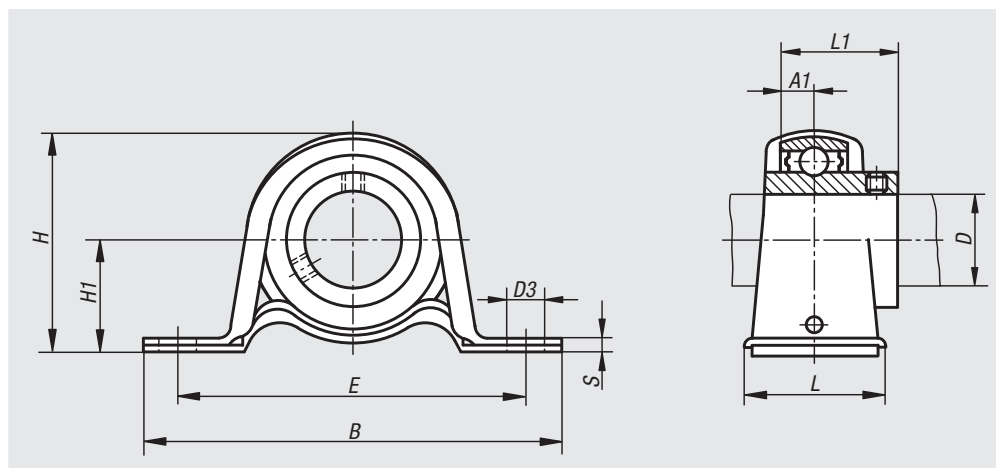
Pillow block bearings consist of a sealed single-row ball bearing with a spherical outer ring which is mounted in a sheet steel housing. Because of the spherical outer surface of the bearing, shaft misalignment can be compensated for. The bearings are manufactured with a plus tolerance. This results in transition or press fits when using shafts with h-tolerances. The shaft is secured by grub screws on the inner ring.

In normal applications, pillow block bearings are maintenance-free due to the lifetime lubrication.

Do not exceed the housing load. It is less than the load rating of the bearings.

### Temperature range:

-15 °C to +100 °C.



Order No.	Bearing	Housing	D	A1	B	D3	E	H	H1	L	L1	S	$\alpha$	Fastening screw	max. static load kN
24225-12201	B 201	PP 201	12	6	86	9,5	68	43,8	22,2	25	22	3,2	10°	M8	2,16
24225-15202	B 202	PP 202	15	6	86	9,5	68	43,8	22,2	25	22	3,2	10°	M8	2,16
24225-17203	B 203	PP 203	17	6	86	9,5	68	43,8	22,2	25	22	3,2	10°	M8	2,16
24225-20204	B 204	PP 204	20	7	98	9,5	76	50,5	25,4	32	25	3,2	10°	M8	2,62
24225-25205	B 205	PP 205	25	7,5	108	11,5	86	56,5	28,6	32	27	4	10°	M10	3,72
24225-30206	B 206	PP 206	30	8	117	11,5	95	66,3	33,3	38	30	4	10°	M10	4,41
24225-35207	B 207	PP 207	35	8,5	129	11,5	106	78	39,7	42	32	4,6	10°	M10	4,9