

# Pillow block bearing flange type UCFL

2-hole



### Material:

Housing, grey cast iron.  
Bearing, ball-bearing steel 100Cr6.  
Seal, rubber NBR.

### Version:

Housing, painted.

### Sample order:

nIm 24215-12201

### Note:

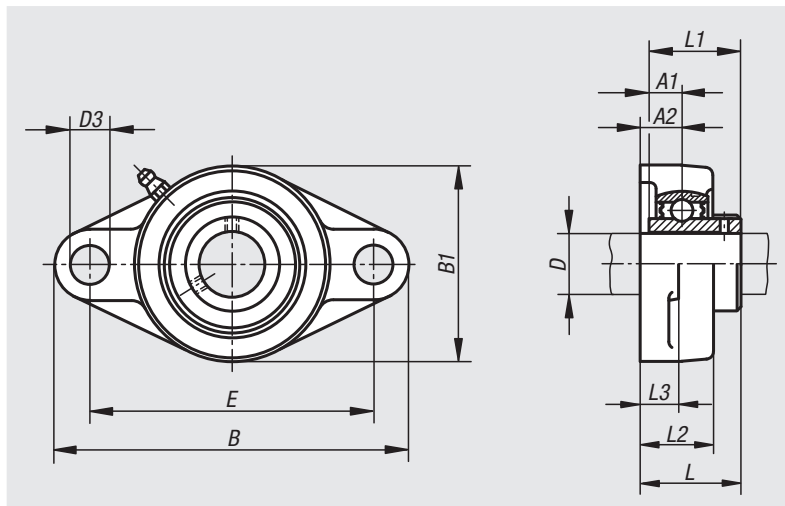
Pillow block bearings consist of a sealed single-row ball bearing with a spherical outer ring which is mounted in a housing. Because of the spherical outer surface of the bearing, shaft misalignment can be compensated for. The bearings are manufactured with a plus tolerance. This results in transition or press fits when using shafts with h-tolerances. The shaft is secured by grub screws on the inner ring.

In normal applications, pillow block bearings are maintenance-free due to the lifetime lubrication. In difficult environmental conditions re-lubrication can be carried out over the grease nipple.

All housing dimensions are nominal dimensions for which the usual casting tolerances must be taken into consideration.

### Temperature range:

-15 °C to +100 °C.



Order No.	Bearing	Housing	D	A1	A2	B	B1	D3	E	L	L1	L2	L3	$\alpha$	Fastening screw
24215-12201	UC 201	FL 201	12	12,7	15	113	60	12	90	33,3	31	25,5	11	10°	M10
24215-15202	UC 202	FL 202	15	12,7	15	113	60	12	90	33,3	31	25,5	11	10°	M10
24215-17203	UC 203	FL 203	17	12,7	15	113	60	12	90	33,3	31	25,5	11	10°	M10
24215-20204	UC 204	FL 204	20	12,7	15	113	60	12	90	33,3	31	25,5	11	10°	M10
24215-25205	UC 205	FL 205	25	14,3	16	130	68	16	99	35,8	34	27	13	10°	M14
24215-30206	UC 206	FL 206	30	15,9	18	148	80	16	117	40,2	38,1	31	13	10°	M14
24215-35207	UC 207	FL 207	35	17,5	19	161	90	16	130	44,4	42,9	34	14	10°	M14
24215-40208	UC 208	FL 208	40	19	21	175	100	16	144	51,2	49,2	36	14	10°	M14
24215-45209	UC 209	FL 209	45	19	22	188	108	19	148	52,2	49,2	38	15	10°	M16
24215-50210	UC 210	FL 210	50	19	22	197	115	19	157	54,6	51,6	40	15	10°	M16
24215-55211	UC 211	FL 211	55	22,2	25	224	130	19	184	58,4	55,6	43	18	10°	M16
24215-60212	UC 212	FL 212	60	25,4	29	250	140	23	202	68,7	65,1	48	18	10°	M20