

Pillow block bearing flange type UCFC

with centring hub



Material:

Housing, grey cast iron.
Bearing, ball-bearing steel 100Cr6.
Seal, rubber NBR.

Version:

Housing, painted.

Sample order:

nIm 24212-20204

Note:

Pillow block bearings consist of a sealed single-row ball bearing with a spherical outer ring which is mounted in a housing. Because of the spherical outer surface of the bearing, shaft misalignment can be compensated for. The bearings are manufactured with a plus tolerance. This results in transition or press fits when using shafts with h-tolerances. The shaft is secured by grub screws on the inner ring.

In normal applications, pillow block bearings are maintenance-free due to the lifetime lubrication. In difficult environmental conditions re-lubrication can be carried out over the grease nipple.

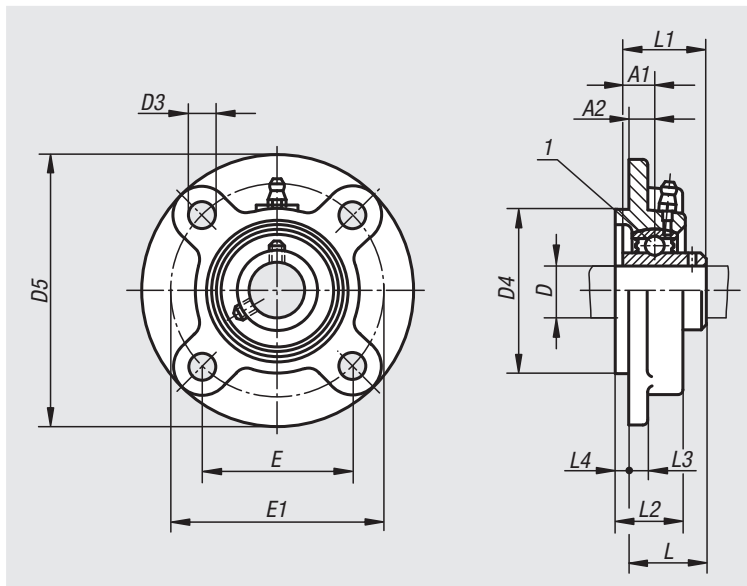
All housing dimensions are nominal dimensions for which the usual casting tolerances must be taken into consideration.

Temperature range:

-15 °C to +100 °C.

Drawing reference:

1) ball bearing



| Order No. | Bearing | Housing | D | A1 | A2 | D3 | D4 | D5 | E | E1 | L | L1 | L2 | L3 | L4 | α | Fastening screw |
|-------------|---------|---------|----|------|----|----|-----|-----|-------|-----|------|------|------|----|----|-----|-----------------|
| 24212-20204 | UC 204 | FC 204 | 20 | 12,7 | 10 | 12 | 62 | 100 | 55,1 | 78 | 28,3 | 31 | 20,5 | 7 | 5 | 10° | M10 |
| 24212-25205 | UC 205 | FC 205 | 25 | 14,3 | 10 | 12 | 70 | 115 | 63,6 | 90 | 29,8 | 34 | 21 | 7 | 6 | 10° | M10 |
| 24212-30206 | UC 206 | FC 206 | 30 | 15,9 | 10 | 12 | 80 | 125 | 70,7 | 100 | 32,2 | 38,1 | 23 | 8 | 8 | 10° | M10 |
| 24212-35207 | UC 207 | FC 207 | 35 | 17,5 | 11 | 14 | 90 | 135 | 77,8 | 110 | 36,4 | 42,9 | 26 | 9 | 8 | 10° | M12 |
| 24212-40208 | UC 208 | FC 208 | 40 | 19 | 11 | 14 | 100 | 145 | 84,8 | 120 | 41,2 | 49,2 | 26 | 9 | 10 | 10° | M12 |
| 24212-45209 | UC 209 | FC 209 | 45 | 19 | 10 | 16 | 105 | 160 | 93,3 | 132 | 40,2 | 49,2 | 26 | 14 | 12 | 10° | M14 |
| 24212-50210 | UC 210 | FC 210 | 50 | 19 | 10 | 16 | 110 | 165 | 97,6 | 138 | 42,6 | 51,6 | 28 | 14 | 12 | 10° | M14 |
| 24212-55211 | UC 211 | FC 211 | 55 | 22,2 | 13 | 19 | 125 | 185 | 106,1 | 150 | 46,4 | 55,6 | 31 | 15 | 12 | 10° | M16 |
| 24212-60212 | UC 212 | FC 212 | 60 | 25,4 | 17 | 19 | 135 | 195 | 113,1 | 160 | 56,7 | 65,1 | 36 | 15 | 12 | 10° | M16 |