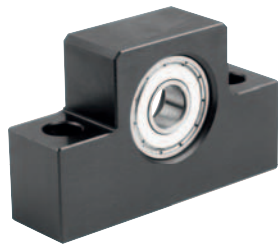


## Floating bearing units

block version

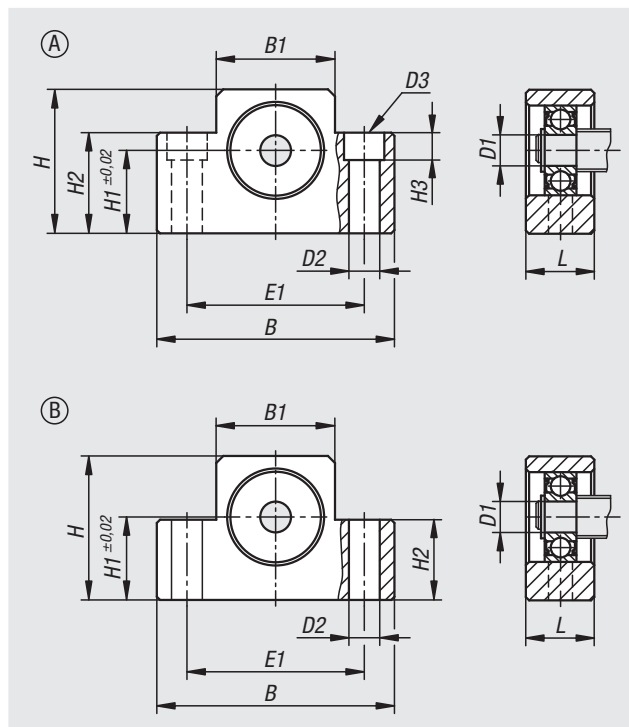


**Material:**  
Housing steel.

**Version:**  
Housing black oxidised.

**Sample order:**  
nlm 24078-02-006

**Note:**  
The axis height of the spindle bearings matches the fixed bearing unit 24078-01. The floating bearing units consist of a housing with deep groove ball bearing, which adapts axially to the linear expansion of the spindle.



Order No.	Form	Size	B	B1	D1	D2	D3	E1	H	H1	H2	H3	L
24078-02-006	A	6	42	18	6	5,5	9,5	30	25	13	20	11	12
24078-02-008	A	8	52	25	6	6,6	11	38	32	17	26	12	14
24078-02-010	B	10	70	36	8	9	-	52	43	25	24	-	20
24078-02-012	B	12	70	36	10	9	-	52	43	25	24	-	20
24078-02-015	B	15	80	41	15	9	-	60	49	30	25	-	20
24078-02-020	B	20	95	56	20	11	-	75	58	30	25	-	26

Order No.	Dynamic load rating N	Static load rating N
24078-02-006	2190	870
24078-02-008	2190	870
24078-02-010	3250	1400
24078-02-012	4550	1960
24078-02-015	5600	2840
24078-02-020	9300	5000