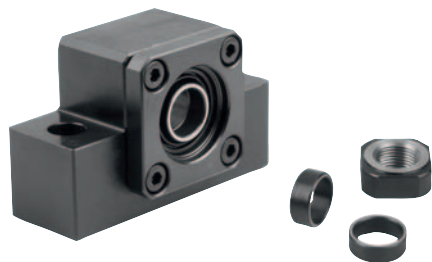


Fixed bearing units

block version

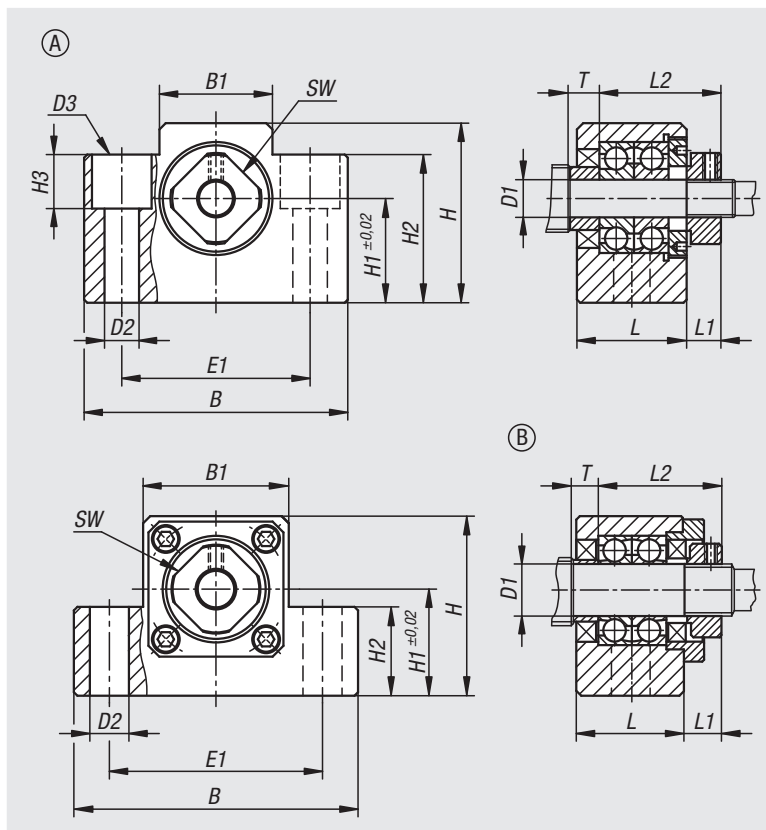


Material:
Housing steel.

Version:
Housing black oxidised.

Sample order:
nlm 24078-01-006

Note:
The axis height of the spindle bearings matches the floating bearing unit 24078-02. The solid bearing units are composed of a housing with 2 axial angular contact ball bearings with seals. Pre-stressed with a prefixed flange. With circlips and a lock nut.



Order No.	Form	Size	B	B1	D1	D2	D3	E1	H	H1	H2	H3	L	L1	L2	SW	T
24078-01-006	A	6	42	18	6	5,5	9,5	30	25	13	20	11	20	5	22	12	7
24078-01-008	A	8	52	25	8	6,6	11	38	32	17	26	12	23	7	26	14	7,5
24078-01-010	B	10	70	36	10	9	-	52	43	25	24	-	24	6	29,5	16	5,5
24078-01-012	B	12	70	36	12	9	-	52	43	25	24	-	24	6	29,5	19	5,5
24078-01-015	B	15	80	41	15	11	-	60	50	30	25	-	25	6	36	22	10
24078-01-020	B	20	95	56	20	11	-	75	58	30	25	-	42	10	50	30	11

Order No.	Dynamic load rating N	Static load rating N	Stiffness K (N/μm)
24078-01-006	2500	1100	32
24078-01-008	4100	1500	51
24078-01-010	6500	2800	95
24078-01-012	7000	3100	102
24078-01-015	7500	3500	114
24078-01-020	17500	3500	145

2000
21000
22000
23000
24000
26000
27000
28000
31000
32000
33000