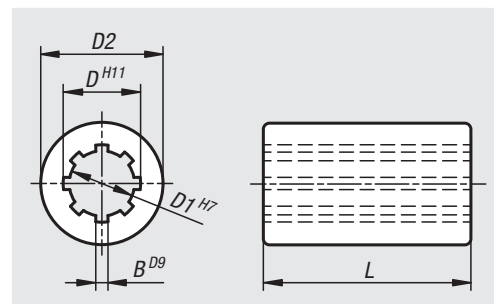


# Splined hubs round

similar to DIN ISO 14



### Material:

Steel C45.

Stainless steel 1.4305.

Gunmetal Rg 7.

### Version:

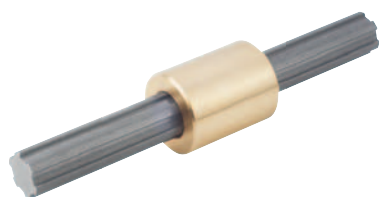
Bright.

### Sample order:

nIm 24011-11141

### Note:

Spline hubs based on DIN ISO 14 with straight parallel flanks. A spline shaft with spline hub is used to transmit high torques while enabling simultaneous axial movement.



Order No. steel	Order No. stainless steel	Order No. gunmetal	Profile	No. of slots	B	D	D1	D2	L
24011-11141	24011-11142	24011-11143	KW11X14	6	3	14	11	20	40
24011-13161	24011-13162	24011-13163	KW13X16	6	3,5	16	13	28	45
24011-16201	24011-16202	24011-16203	KW16X20	6	4	20	16	32	45
24011-18221	24011-18222	24011-18223	KW18X22	6	5	22	18	40	50
24011-21251	24011-21252	24011-21253	KW21X25	6	5	25	21	40	55
24011-23281	24011-23282	24011-23283	KW23X28	6	6	28	23	50	55
24011-26321	24011-26322	24011-26323	KW26X32	6	6	32	26	52	60
24011-32381	24011-32382	24011-32383	KW32X38	8	6	38	32	60	60
24011-36421	24011-36422	24011-36423	KW36X42	8	7	42	36	70	65
24011-42481	24011-42482	24011-42483	KW42X48	8	8	48	42	80	70
24011-46541	24011-46542	24011-46543	KW46X54	8	9	54	46	80	90