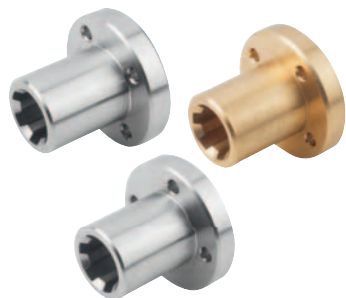


## Splined hubs with flange

similar to DIN ISO 14



**Material:**

Steel C45.  
Stainless steel 1.4305.  
Gunmetal Rg 7.

**Version:**

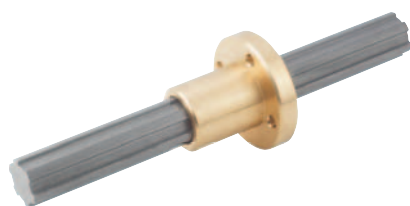
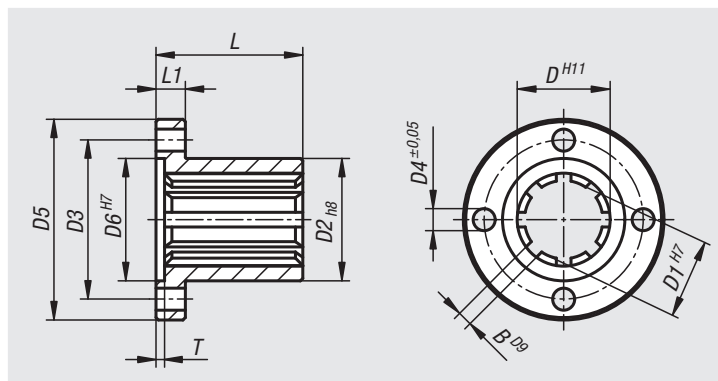
Bright.

**Sample order:**

nIm 24011-01-11141

**Note:**

Spline hubs based on DIN ISO 14 with straight parallel flanks. A spline shaft with spline hub is used to transmit high torques while enabling simultaneous axial movement.



Order No. steel	Order No. stainless steel	Order No. gunmetal	Profile	No. of slots	B	D	D1	D2	D3	D4	D5	D6	L	L1	T
24011-01-11141	24011-01-11142	24011-01-11143	KW11X14	6	3	14	11	20	28	4,5	42	20	35	8	3
24011-01-13161	24011-01-13162	24011-01-13163	KW13X16	6	3,5	16	13	25	36	4,5	50	22	40	8	3
24011-01-16201	24011-01-16202	24011-01-16203	KW16X20	6	4	20	16	28	38	5,5	52	25	40	10	3
24011-01-18221	24011-01-18222	24011-01-18223	KW18X22	6	5	22	18	30	40	5,5	54	30	45	10	3,5
24011-01-21251	24011-01-21252	24011-01-21253	KW21X25	6	5	25	21	34	48	6,6	62	35	50	10	3,5
24011-01-23281	24011-01-23282	24011-01-23283	KW23X28	6	6	28	23	36	50	6,6	64	36	55	10	3,5
24011-01-26321	24011-01-26322	24011-01-26323	KW26X32	6	6	32	26	42	56	6,6	70	40	60	10	3,5
24011-01-32381	24011-01-32382	24011-01-32383	KW32X38	8	6	38	32	50	65	9	82	50	60	12	3,5
24011-01-36421	24011-01-36422	24011-01-36423	KW36X42	8	7	42	36	52	70	9	90	52	80	16	4
24011-01-42481	24011-01-42482	24011-01-42483	KW42X48	8	8	48	42	60	75	11	95	60	80	16	4
24011-01-46541	24011-01-46542	24011-01-46543	KW46X54	8	9	54	46	65	80	11	100	65	100	16	4