

# Trapezoidal thread nuts with flange

double-start, RH thread



**Material:**  
Gunmetal Rg7.

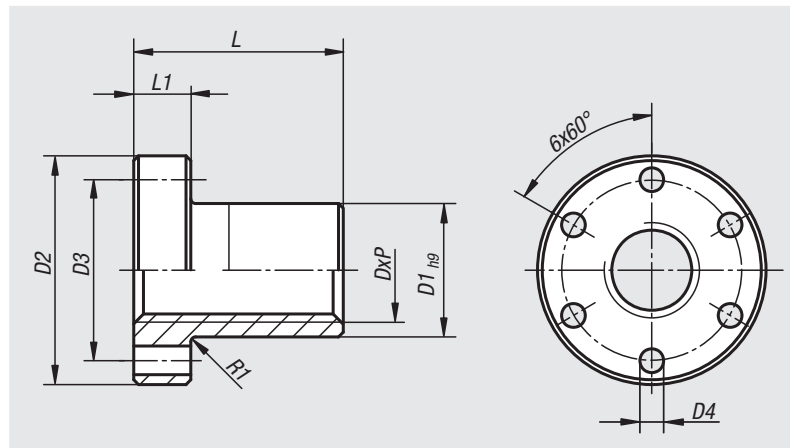
**Version:**  
Bright.

**Sample order:**  
nlm 24006-060213

**Note:**  
ISO trapezoidal thread based on DIN 103.

For low and medium speed motion drives.  
By insufficient lubrication, gunmetal trapezoidal thread nuts on steel spindles have good dry-running properties.

Tolerance class 7H.



Order No.	DxP	D1	D2	D3	D4	L	L1
24006-060213	Tr 6x2 P1	13	25	19	3,2	15	5
24006-120613	Tr 12x6 P3	28	48	38	6	35	12
24006-160813	Tr 16x8 P4	28	48	38	6	35	12
24006-200813	Tr 20x8 P4	32	55	45	6,5	44	12
24006-241013	Tr 24x10 P5	32	55	45	6,5	44	12
24006-301213	Tr 30x12 P6	38	62	50	6,5	46	14
24006-401413	Tr 40x14 P7	63	95	78	9	66	16