

Trapezoidal thread flange nuts

single-start, RH or LH thread



Material:
Gunmetal Rg7.

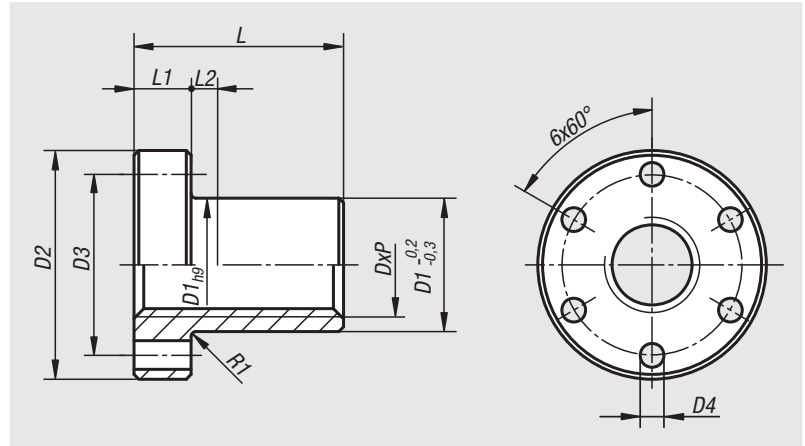
Version:
Bright.

Sample order:
nlm 24005-160411

Note:
ISO trapezoidal thread based on DIN 103.

For low and medium speed motion drives. By insufficient lubrication, gunmetal trapezoidal thread nuts on steel spindles have good dry-running properties.

Tolerance class 7H.



Order No. RH thread	Order No. LH thread	DxP	D1	D2	D3	D4	L	L1	L2
24005-100213	24005-100223	Tr 10x2	25	42	34	5	25/15	10	6/5
24005-100313	-	Tr 10x3	25	42	34	5	15	10	5
24005-120313	24005-120323	Tr 12x3	28	48	38	6	18	12	6
24005-140313	24005-140323	Tr 14x3	28	48	38	6	35	12	8
24005-160413	24005-160423	Tr 16x4	28	48	38	6	24	12	8
24005-180413	24005-180423	Tr 18x4	28	48	38	6	35	12	12
24005-200413	24005-200423	Tr 20x4	32	55	45	7	30	12	8
24005-240513	24005-240523	Tr 24x5	32	55	45	7	36	12	8
24005-260513	24005-260523	Tr 26x5	38	62	50	7	39	14	8
24005-280513	24005-280523	Tr 28x5	38	62	50	6,5	46	14	15
24005-300613	24005-300623	Tr 30x6	38	62	50	7	45	14	8
24005-320613	24005-320623	Tr 32x6	45	70	58	6,5	54	16	6
24005-360613	24005-360623	Tr 36x6	45	70	58	6,5	54	16	15
24005-400713	24005-400723	Tr 40x7	63	95	78	8,5	66	16	20
24005-440713	24005-440723	Tr 44x7	63	95	78	8,5	66	16	20
24005-500813	24005-500823	Tr 50x8	72	110	90	10,5	75	18	20