

Trapezoidal thread nuts, round

double-start, RH thread


Material:

Steel C35Pb.
Gunmetal Rg7.
Plastic PA6.6 with MoS₂).

Version:

Bright.

Sample order:

nIm 24004-060213

Note:

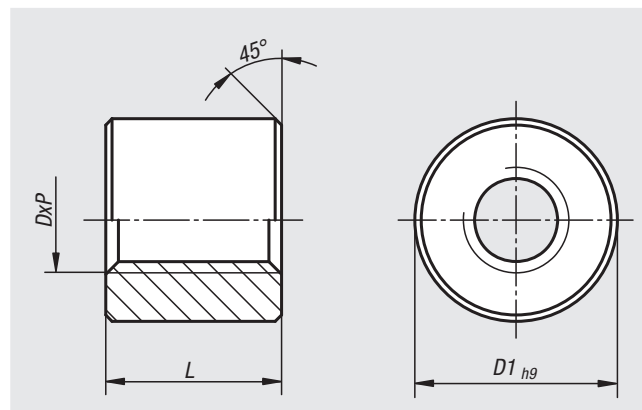
ISO trapezoidal thread based on DIN 103.

Steel nuts: for adjustments during manual operation and as fastening nuts. Not advised for use with motorised drives due to the steel-steel material combination.

Gunmetal nuts: for motion drives with low and medium speed. By insufficient lubrication, gunmetal trapezoidal thread nuts on steel spindles have good dry-running properties.

Plastic nuts: for low-noise motion drives. Good dry-running properties.

Tolerance class 7H.



Order No. steel	Order No. gunmetal	Order No. plastic	DxP	D1	L
24004-060211	24004-060213	24004-060214	Tr 6x2 P1	18	12
24004-120611	24004-120613	24004-120614	Tr 12x6 P3	26	24
24004-160811	24004-160813	24004-160814	Tr 16x8 P4	36	32
24004-200811	24004-200813	24004-200814	Tr 20x8 P4	45	40
24004-241011	24004-241013	24004-241014	Tr 24x10 P5	50	48
24004-301211	24004-301213	24004-301214	Tr 30x12 P6	60	60
24004-401411	24004-401413	24004-401414	Tr 40x14 P7	80	80