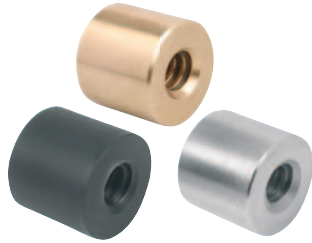


Trapezoidal thread nuts, round

single-start, RH or LH thread



Material:

Steel C35Pb.
Stainless steel 1.4305.
Gunmetal Rg7.
Plastic PA6.6 (mit MoS2).

Version:

Bright.

Sample order:

nIm 24003-1003132

Note:

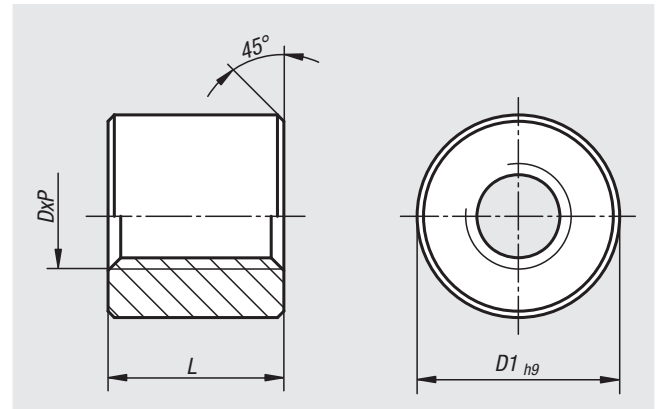
ISO trapezoidal thread based on DIN 103.

Steel and stainless steel nuts: for adjustments during manual operation and as locking nuts. Not advised for use with motorised drives due to the steel/steel material pairing.

Gunmetal nuts: for motion drives with low and medium speed. By insufficient lubrication, gunmetal trapezoidal thread nuts have good dry-running properties on steel spindles.

Plastic nuts: for low-noise motion drives. Good dry-running properties.

Tolerance class 7H.



Order No. RH thread steel	Order No. RH thread stainless steel	Order No. LH thread steel	Order No. LH thread stainless steel	DxP	D1	L
24003-0815111	24003-0815121	24003-0815211	24003-0815221	Tr 8x1,5	18	12
24003-1002111	24003-1002121	24003-1002211	24003-1002221	Tr 10x2	22	15
24003-1003111	24003-1003121	24003-1003211	24003-1003221	Tr 10x3	22	15
24003-1203111	24003-1203121	24003-1203211	24003-1203221	Tr 12x3	26	18
24003-1403111	24003-1403121	24003-1403211	24003-1403221	Tr 14x3	30	21
24003-1404111	24003-1404121	24003-1404211	24003-1404221	Tr 14x4	30	21
24003-1604111	24003-1604121	24003-1604211	24003-1604221	Tr 16x4	36	24
24003-1804111	24003-1804121	24003-1804211	24003-1804221	Tr 18x4	40	27
24003-2004111	24003-2004121	24003-2004211	24003-2004221	Tr 20x4	45	30
24003-2405111	24003-2405121	24003-2405211	24003-2405221	Tr 24x5	50	36
24003-2605111	24003-2605121	24003-2605211	24003-2605221	Tr 26x5	60	39
24003-2805111	24003-2805121	24003-2805211	24003-2805221	Tr 28x5	60	42
24003-3006111	24003-3006121	24003-3006211	24003-3006221	Tr 30x6	60	45
24003-3206111	24003-3206121	24003-3206211	24003-3206221	Tr 32x6	60	48
24003-3606111	24003-3606121	24003-3606211	24003-3606221	Tr 36x6	75	54
24003-4007111	24003-4007121	24003-4007211	24003-4007221	Tr 40x7	80	60
24003-4407111	24003-4407121	24003-4407211	24003-4407221	Tr 44x7	80	66
24003-5008111	24003-5008121	24003-5008211	24003-5008221	Tr 50x8	90	75
24003-0815112	-	24003-0815212	-	Tr 8x1,5	18	16
24003-1002112	-	24003-1002212	-	Tr 10x2	22	20
24003-1003112	-	24003-1003212	-	Tr 10x3	22	20
24003-1203112	-	24003-1203212	-	Tr 12x3	26	24
24003-1403112	-	24003-1403212	-	Tr 14x3	30	28
24003-1404112	-	24003-1404212	-	Tr 14x4	30	28
24003-1604112	-	24003-1604212	-	Tr 16x4	36	32
24003-1804112	-	24003-1804212	-	Tr 18x4	40	36
24003-2004112	-	24003-2004212	-	Tr 20x4	45	40
24003-2405112	-	24003-2405212	-	Tr 24x5	50	48
24003-2605112	-	24003-2605212	-	Tr 26x5	60	52
24003-2805112	-	24003-2805212	-	Tr 28x5	60	56
24003-3006112	-	24003-3006212	-	Tr 30x6	60	60
24003-3206112	-	24003-3206212	-	Tr 32x6	60	64
24003-3606112	-	24003-3606212	-	Tr 36x6	75	72
24003-4007112	-	24003-4007212	-	Tr 40x7	80	80
24003-4407112	-	24003-4407212	-	Tr 44x7	80	88
24003-5008112	-	24003-5008212	-	Tr 50x8	90	100

Trapezoidal thread nuts, round

single-start, RH or LH thread

Order No. RH thread gunmetal	Order No. RH thread plastic	Order No. LH thread gunmetal	Order No. LH thread plastic	DxP	D1	L
24003-0815132	24003-0815142	24003-0815232	24003-0815242	Tr 8x1,5	18/18/18/18	16/16/16/16
24003-1002132	24003-1002142	24003-1002232	24003-1002242	Tr 10x2	22/22/22/22	20/20/20/20
24003-1003132	24003-1003142	24003-1003232	24003-1003242	Tr 10x3	22/22/22/22	20/20/20/20
24003-1203132	24003-1203142	24003-1203232	24003-1203242	Tr 12x3	26/26/26/26	24/24/24/24
24003-1403132	24003-1403142	24003-1403232	24003-1403242	Tr 14x3	30/30/30/30	28/28/28/28
24003-1404132	24003-1404142	24003-1404232	24003-1404242	Tr 14x4	30/30/30/30	28/28/28/28
24003-1604132	24003-1604142	24003-1604232	24003-1604242	Tr 16x4	36/36/36/36	32/32/32/32
24003-1804132	24003-1804142	24003-1804232	24003-1804242	Tr 18x4	40/40/40/40	36/36/36/36
24003-2004132	24003-2004142	24003-2004232	24003-2004242	Tr 20x4	45/45/45/45	40/40/40/40
24003-2405132	24003-2405142	24003-2405232	24003-2405242	Tr 24x5	50/50/50/50	48/48/48/48
24003-2605132	24003-2605142	24003-2605232	24003-2605242	Tr 26x5	50/50/60/60	48/48/52/52
24003-2805132	24003-2805142	24003-2805232	24003-2805242	Tr 28x5	60/60/60/60	56/56/56/60
24003-3006132	24003-3006142	24003-3006232	24003-3006242	Tr 30x6	60/60/60/60	60/60/60/60
24003-3206132	24003-3206142	24003-3206232	24003-3206242	Tr 32x6	60/60/60/60	64/64/64/64
24003-3606132	24003-3606142	24003-3606232	24003-3606242	Tr 36x6	75/75/75/75	72/72/72/72
24003-4007132	24003-4007142	24003-4007232	24003-4007242	Tr 40x7	80/80/80/80	80/80/80/80
24003-4407132	24003-4407142	24003-4407232	24003-4407242	Tr 44x7	80/80/80/80	88/88/88/88
24003-5008132	24003-5008142	24003-5008232	24003-5008242	Tr 50x8	90/90/90/90	100/100/100/100