

Axial ball bearing FAG

single direction



Material:

Housing washer, shaft washer and rolling elements, bearing steel.
Cage, steel.

Sample order:

nIm 23830-001002409

Note:

Axial ball bearings accept high axial loads from one direction but may not be loaded radially.

The bearings are separable. This means the bearing parts can be fitted independently of each other.

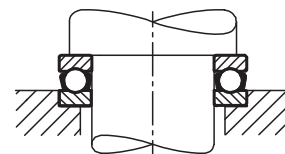
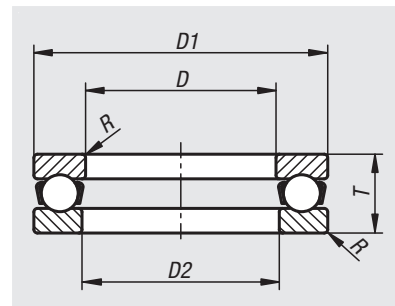
The main dimensions of the axial ball bearing conform to ISO 104 and DIN 711. Dimensional and running tolerances correspond to tolerance class PN acc. to DIN 620. These tolerance classes are standard and are well suited for most applications.

Temperature range:

-30 °C to +150 °C.

On request:

Other dimensions and versions.



Order No.	Abbreviation	D	D1	D2	T	R min.	Dynamic load rating N	Static load rating N	Speed limit rpm
23830-01002409	51100	10	24	11	9	0,3	10000	14000	13000
23830-01202609	51101	12	26	13	9	0,3	10400	15300	13000
23830-01202811	51201	12	28	14	11	0,6	13200	19000	10000
23830-01502809	51102	15	28	16	9	0,3	10600	16600	12000
23830-01503212	51202	15	32	17	12	0,6	16600	25000	9000
23830-01703009	51103	17	30	18	9	0,3	11400	19600	11000
23830-01703512	51203	17	35	19	12	0,6	17300	27500	8500
23830-02003510	51104	20	35	21	10	0,3	15000	26500	9500
23830-02004014	51204	20	40	22	14	0,6	22400	37500	7500
23830-02504211	51105	25	42	26	11	0,6	18000	35500	9000
23830-02504715	51205	25	47	27	15	0,6	28000	50000	6700
23830-03004711	51106	30	47	32	11	0,6	19000	40000	8000
23830-03005216	51206	30	52	32	16	0,6	25000	46500	6300
23830-03505212	51107	35	52	37	12	0,6	20000	46500	7500
23830-03506218	51207	35	62	37	18	1	35500	67000	5300
23830-04006013	51108	40	60	42	13	0,6	27000	63000	6300
23830-04006819	51208	40	68	42	19	1	46500	98000	4800
23830-04506514	51109	45	65	47	14	0,6	28000	69500	6000
23830-04507320	51209	45	73	47	20	1	39000	80000	4800
23830-05007014	51110	50	70	52	14	0,6	29000	75000	5600
23830-05007822	51210	50	78	52	22	1	50000	106000	4300