

Angular contact ball bearing FAG

single-row



Material:

Inner ring, outer ring and rolling elements, bearing steel.
Cage reinforced fibre glass polyamide.

Version:

open.

Sample order:

nIm 23805-001003009

Note:

Single row angular contact ball bearings accept high radial and axial loads. Axial loads are absorbed in only one direction against the shoulder guide. For axial counter support a second bearing mounted inverse is required. The pressure angle of 40° make these bearings highly resilient. Suitable for high speeds.

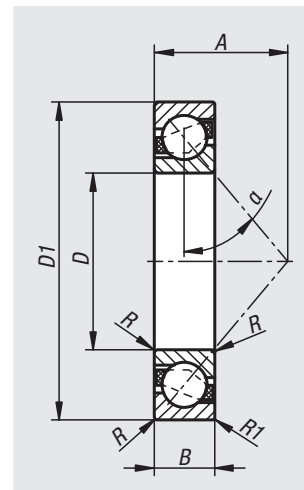
The main dimensions of angular contact ball bearings conform to DIN 628-1. Dimensional and running tolerances correspond to tolerance class PN acc. to DIN 620. These tolerance classes are standard and are well suited for most applications.

Temperature range:

-30°C to $+120^\circ\text{C}$.

On request:

Sealed both sides with NBR contact lip seals. Other dimensions and versions.



Order No.	Abbreviation	D	D1	B	R min.	R1 min.	α	A	Dynamic load rating N	Static load rating N	Speed limit rpm
23805-001003009	7200-B-TVP	10	30	9	0,6	0,3	40°	13	5300	2600	32000
23805-001203210	7201-B-TVP	12	32	10	0,6	0,3	40°	14	7400	3550	28000
23805-001503511	7202-B-TVP	15	35	11	0,6	0,3	40°	16	8400	4450	24000
23805-001704012	7203-B-TVP	17	40	12	0,6	0,3	40°	18	10500	5700	20000
23805-002004714	7204-B-TVP	20	47	14	1	0,6	40°	21	14400	7800	18000
23805-002505215	7205-B-TVP	25	52	15	1	0,6	40°	24	15300	9000	16000
23805-003006216	7206-B-TVP	30	62	16	1	0,6	40°	27	21700	14100	13000
23805-003507217	7207-B-TVP	35	72	17	1,1	0,6	40°	31	28000	19000	11000
23805-004008018	7208-B-TVP	40	80	18	1,1	0,6	40°	34	34000	23500	9500
23805-004508519	7209-B-TVP	45	85	19	1,1	0,6	40°	37	37500	27000	8500
23805-005009020	7210-B-TVP	50	90	20	1,1	0,6	40°	39	39000	28500	8000