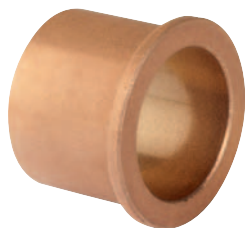


# Plain bearing sintered bronze

with collar



## Material:

Sintered bronze similar to SINT A50.

## Version:

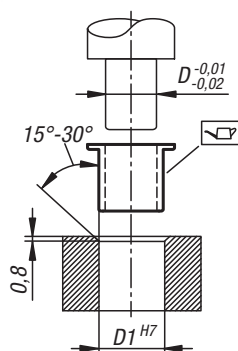
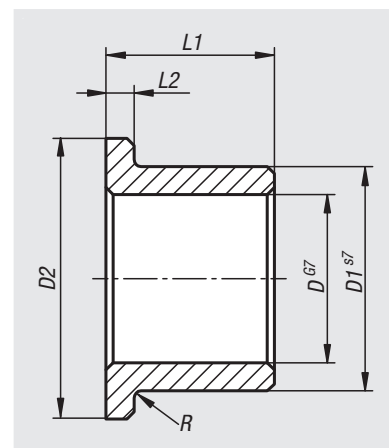
Oil impregnated (ca. 25 percent by volume oil).  
Hardness min. 25 HB.

## Sample order:

nIm 23761-00400804

## Note:

The sintered bronze plain bearings are oil impregnated, self-lubricating, maintenance-free and ready for installation. During rotation the oil is applied to the shaft and absorbed by the bearing through capillary effect when stationary. Additional lubrication is not required under normal operating conditions.



## Assembly:

Press in plain bearings, do not hammer in. The use of a suitable press mandrel is advisable. Without a mandrel there is a risk that the bearing may deform during installation. After press-fitting into a housing with bore H7 the bore D has a H7 tolerance.

## Tolerances:

Housing:

Recommended tolerance H7.

Shaft:

Recommended tolerance h6 to h9. Hardened or non-hardened ground shafts can be used (for secondary applications drawn shafts can also be used).

## Technical data:

Static load: max. 50 N/mm<sup>2</sup>

Dynamic load: max. 10 N/mm<sup>2</sup>

Friction coefficient, dry: 0.05 to 0.10

Sliding speed: max. 5 m/s

Maximum pv value: 1.6 N/mm<sup>2</sup> \* m/s

Temperature range: -20 °C to +100 °C

Order No.	D	D1	D2	L1	L2	R
23761-00400804	4	8	12	4	2	0,3
23761-00400808	4	8	12	8	2	0,3
23761-00601006	6	10	14	6	2	0,3
23761-00601010	6	10	14	10	2	0,3
23761-00601016	6	10	14	16	2	0,3
23761-00801208	8	12	16	8	2	0,3
23761-00801212	8	12	16	12	2	0,3
23761-00801216	8	12	16	16	2	0,3
23761-01001310	10	13	16	10	1,5	0,6
23761-01001316	10	13	16	16	1,5	0,6
23761-01001510	10	15	20	10	2,5	0,6
23761-01001516	10	15	20	16	2,5	0,6
23761-01001610	10	16	22	10	3	0,6
23761-01001616	10	16	22	16	3	0,6

# Plain bearing sintered bronze

with collar

Order No.	D	D1	D2	L1	L2	R
23761-01201512	12	15	18	12	1,5	0,6
23761-01201516	12	15	18	16	1,5	0,6
23761-01201712	12	17	22	12	2,5	0,6
23761-01201716	12	17	22	16	2,5	0,6
23761-01201812	12	18	24	12	3	0,6
23761-01201820	12	18	24	20	3	0,6
23761-01401814	14	18	22	14	2	0,6
23761-01402014	14	20	26	14	3	0,6
23761-01502015	15	20	25	15	3	0,6
23761-01502020	15	20	25	20	3	0,6
23761-01602016	16	20	24	16	2	0,6
23761-01602020	16	20	24	20	2	0,6
23761-01602216	16	22	28	16	3	0,6
23761-01602220	16	22	28	20	3	0,6
23761-01602225	16	22	28	25	3	0,6
23761-01802218	18	22	26	18	2	0,6
23761-01802418	18	24	30	18	3	0,6
23761-02002416	20	24	28	16	2	0,6
23761-02002420	20	24	28	20	2	0,6
23761-02002616	20	26	32	16	3	0,6
23761-02002620	20	26	32	20	3	0,6
23761-02002625	20	26	32	25	3	0,6
23761-02002632	20	26	32	32	3	0,6
23761-02202815	22	28	34	15	3	0,6
23761-02202820	22	28	34	20	3	0,6
23761-02202825	22	28	34	25	3	0,6
23761-02503020	25	30	35	20	2,5	0,8
23761-02503025	25	30	35	25	2,5	0,8
23761-02503220	25	32	39	20	3,5	0,8
23761-02503225	25	32	39	25	3,5	0,8
23761-02803322	28	33	38	22	2,5	0,8
23761-02803336	28	33	38	36	2,5	0,8
23761-02803622	28	36	44	22	4	0,8
23761-02803636	28	36	44	36	4	0,8
23761-03003820	30	38	46	20	4	0,8
23761-03003825	30	38	46	25	4	0,8
23761-03003830	30	38	46	30	4	0,8
23761-03204020	32	40	48	20	4	0,8
23761-03204025	32	40	48	25	4	0,8
23761-03204030	32	40	48	30	4	0,8
23761-03604528	36	45	54	28	4,5	0,8
23761-03604536	36	45	54	36	4,5	0,8
23761-04005025	40	50	60	25	5	0,8
23761-04005040	40	50	60	40	5	0,8
23761-05006032	50	60	70	32	5	1
23761-05006050	50	60	70	50	5	1