

Thrust washers


Material:

Base material, steel.
Intermediate layer sintered bronze.
Bearing surface PTFE.

Version:

Steel electro zinc-plated.

Sample order:

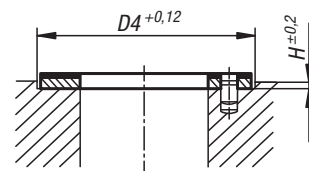
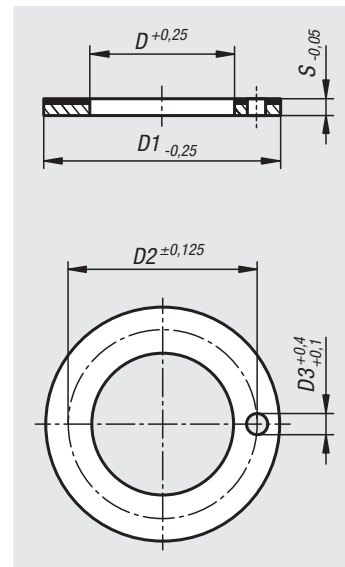
nlm 23732-01002015

Note:

Maintenance-free steel composite bearings particularly suitable for dry running. Also highly suitable for lubricated applications (oil lubrication). They take up axial loads by rotating movements. The axial loads that occur can be both cyclic or permanent. Very low wear and friction, no stick-slip effect. High chemical resistance, low water absorption.

Technical data:

Static load: max. 250 N/mm²
Dynamic load: max. 140 N/mm²
Friction coefficient, dry: 0.03 to 0.20
Sliding speed, dry: max. 2 m/s
Sliding speed, oil lubricated: max. 5 m/s
Thermal conductivity: 42 W(m*K)-1
Thermal expansion coefficient: 11*10⁻⁶ K-1
Temperature range: -195°C to +280°C



Order No.	D	D1	D2	D3	D4	H	S
23732-01002015	10	20	15	1,5	20	1	1,5
23732-01202415	12	24	18	1,5	24	1	1,5
23732-01402615	14	26	20	2	26	1	1,5
23732-01603015	16	30	23	2	30	1	1,5
23732-01803215	18	32	25	2	32	1	1,5
23732-02003615	20	36	28	3	36	1	1,5
23732-02203815	22	38	30	3	38	1	1,5
23732-02404215	24	42	33	3	42	1	1,5
23732-02604415	26	44	35	3	44	1	1,5
23732-02804815	28	48	38	4	48	1	1,5
23732-03205415	32	54	43	4	54	1	1,5
23732-03806215	38	62	50	4	62	1	1,5
23732-04206615	42	66	54	4	66	1	1,5
23732-04807420	48	74	61	4	74	1,5	2
23732-05207820	52	78	65	4	78	1,5	2
23732-06209020	62	90	76	4	90	1,5	2