

Thrust washers plastic


Material:

High-performance polymer iglidur® G.

Version:

grey.

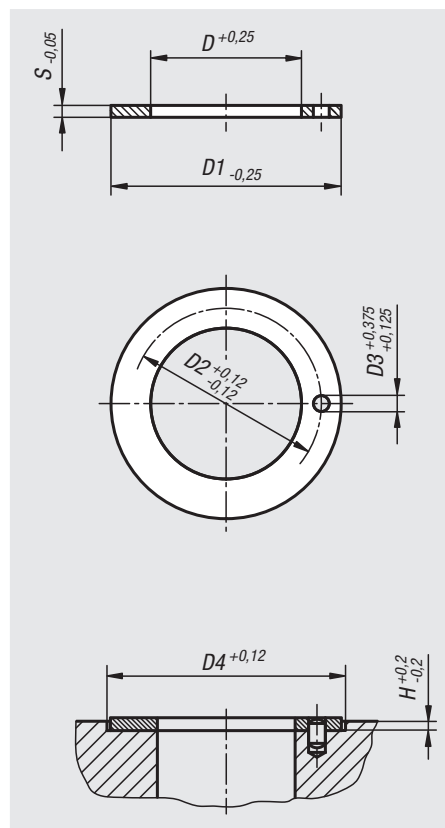
Sample order:

nIm 23715-1050906

Note:

Maintenance-free and lubricant-free thrust washers. They take up axial loads by rotational motion. The loading can be either alternating or permanent.

Electrically insulating. Resistant to UV radiation.



Order No.	D	D1	D2	D3	D4	H	S	Max. permissible static surface pressure N/mm ²	Temperature range
23715-1050906	5	9,5	-	-	9,5	0,3	0,6	80	-40 °C to +130 °C
23715-1061515	6	15	-	-	15	1	1,5	80	-40 °C to +130 °C
23715-1081810	8	18	-	-	18	0,7	1	80	-40 °C to +130 °C
23715-1101810	10	18	-	-	18	0,7	1	80	-40 °C to +130 °C
23715-1122415	12	24	18	1,5	24	1	1,5	80	-40 °C to +130 °C
23715-1142015	14	20	-	-	20	1	1,5	80	-40 °C to +130 °C
23715-1152415	15	24	19,5	1,5	24	1	1,5	80	-40 °C to +130 °C
23715-1163015	16	30	22	2	30	1	1,5	80	-40 °C to +130 °C
23715-1183215	18	32	25	2	32	1	1,5	80	-40 °C to +130 °C
23715-1203615	20	36	28	3	36	1	1,5	80	-40 °C to +130 °C
23715-1223815	22	38	30	3	38	1	1,5	80	-40 °C to +130 °C
23715-1244215	24	42	33	3	42	1	1,5	80	-40 °C to +130 °C
23715-1264415	26	44	35	3	44	1	1,5	80	-40 °C to +130 °C
23715-1284815	28	48	38	4	48	1	1,5	80	-40 °C to +130 °C