

## Plain bearings

plastic



**Material:**

High-performance polymer iglidur® G, iglidur® J or iglidur® X.

**Version:**

iglidur® G grey;  
iglidur® J yellow;  
iglidur® X black

**Sample order:**

nlm 23710-11030403

**Note:**

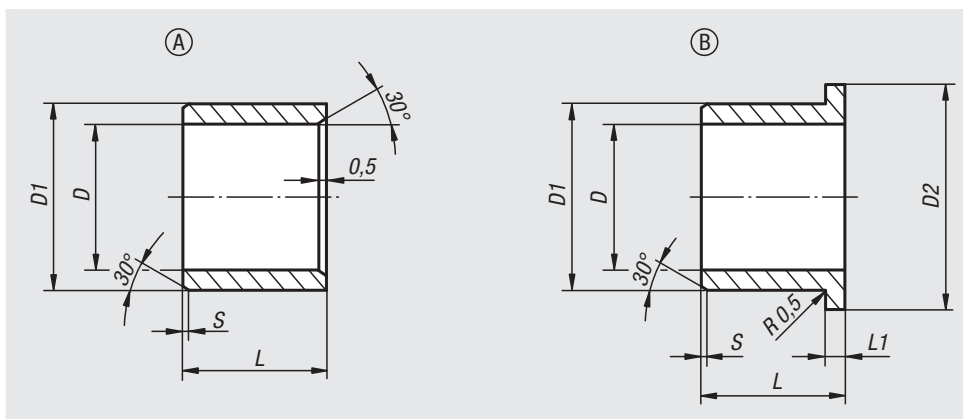
Plastic high-performance polymer plain bearings.

- maintenance-free
- lubricant-free
- corrosion-resistant
- resistant to dirt
- high dimensional precision
- high pressure resistance
- good heat dissipation
- very low creep tendencies
- high mechanical damping
- resistant to UV radiation.

**Assembly:**

The bearings are designed for press fits in H7 bores. After pressing in, the ID of the bearing will be diameter D with the relative tolerance.

The bearings are suitable for shafts with h tolerance (recommended min. h9).



Material	Note	longest endurance times in dry run	for high loads	for high temperatures	low friction/ high speed	dirt-resistant	chemical-resistant	low water absorption	good for edge pressing	possible under water	cost-effective	electrically conducting
iglidur® G	the all-rounder	•	•			•					•	
iglidur® J	low coefficients of friction	•			•			•	•		•	
iglidur® X	temperature and chemical resistant	•	•	•			•	•		•		•

## Plain bearings

plastic

## iglidur® G bearings

Order No. Form A	Order No. Form B	D	D1	D2	L	L1	S	Tolerance D after force fitting	Max. permissible static surface pressure N/mm <sup>2</sup>	Temperature range
23710-11050705	23710-12050705	5	7	-/11	5	-/1	0,3	E10	80	-40 °C to +130 °C
23710-11060806	23710-12060808	6	8	-/12	6/8	-/1	0,5	E10	80	-40 °C to +130 °C
23710-11081008	23710-12081007	8	10	-/15	8/7,5	-/1	0,5	E10	80	-40 °C to +130 °C
23710-11101210	23710-12101209	10	12	-/18	10/9	-/1	0,5	E10	80	-40 °C to +130 °C
23710-11121410	23710-12121412	12	14	-/20	10/12	-/1	0,8	E10	80	-40 °C to +130 °C
23710-11141615	23710-12141612	14	16	-/22	15/12	-/1	0,8	E10	80	-40 °C to +130 °C
23710-11151720	23710-12151712	15	17	-/23	20/12	-/1	0,8	E10	80	-40 °C to +130 °C
23710-11161820	23710-12161817	16	18	-/24	20/17	-/1	0,8	E10	80	-40 °C to +130 °C
23710-11202320	23710-12202321	20	23	-/30	20/21	-/1,5	0,8	E10	80	-40 °C to +130 °C
23710-11252820	23710-12252821	25	28	-/35	20/21	-/1,5	0,8	E10	80	-40 °C to +130 °C
23710-11303430	23710-12303426	30	34	-/42	30/26	-/2	0,8	E10	80	-40 °C to +130 °C

## iglidur® J bearings

Order No. Form A	Order No. Form B	D	D1	D2	L	L1	S	Tolerance D after force fitting	Max. permissible static surface pressure N/mm <sup>2</sup>	Temperature range
23710-21050705	23710-22050705	5	7	-/11	5	-/1	0,3	E10	35	-50 °C to +90 °C
23710-21060806	23710-22060808	6	8	-/12	6/8	-/1	0,5	E10	35	-50 °C to +90 °C
23710-21081008	23710-22081007	8	10	-/15	8/7	-/1	0,5	E10	35	-50 °C to +90 °C
23710-21101210	23710-22101209	10	12	-/18	10/9	-/1	0,5	E10	35	-50 °C to +90 °C
23710-21121410	23710-22121412	12	14	-/20	10/12	-/1	0,8	E10	35	-50 °C to +90 °C
23710-21141615	23710-22141612	14	16	-/22	15/12	-/1	0,8	E10	35	-50 °C to +90 °C
23710-21151720	23710-22151712	15	17	-/23	20/12	-/1	0,8	E10	35	-50 °C to +90 °C
23710-21161820	23710-22161817	16	18	-/24	20/17	-/1	0,8	E10	35	-50 °C to +90 °C
23710-21202320	23710-22202321	20	23	-/30	20/21	-/1,5	0,8	E10	35	-50 °C to +90 °C
23710-21252820	23710-22252821	25	28	-/35	20/21	-/1,5	0,8	E10	35	-50 °C to +90 °C
23710-21303430	23710-22303426	30	34	-/42	30/26	-/2	0,8	E10	35	-50 °C to +90 °C

## iglidur® X bearings

Order No. Form A	Order No. Form B	D	D1	D2	L	L1	S	Tolerance D after force fitting	Max. permissible static surface pressure N/mm <sup>2</sup>	Temperature range
23710-31050705	23710-32050705	5	7	-/11	5	-/1	0,3	F10	150	-100 °C to +250 °C
23710-31060806	23710-32060808	6	8	-/12	6/8	-/1	0,5	F10	150	-100 °C to +250 °C
23710-31081008	23710-32081007	8	10	-/15	8/7,5	-/1	0,5	F10	150	-100 °C to +250 °C
23710-31101210	23710-32101209	10	12	-/18	10/9	-/1	0,5	F10	150	-100 °C to +250 °C
23710-31121410	23710-32121412	12	14	-/20	10/12	-/1	0,8	F10	150	-100 °C to +250 °C
23710-31141615	23710-32141612	14	16	-/22	15/12	-/1	0,8	F10	150	-100 °C to +250 °C
23710-31151720	23710-32151712	15	17	-/23	20/12	-/1	0,8	F10	150	-100 °C to +250 °C
23710-31161820	23710-32161817	16	18	-/24	20/17	-/1	0,8	F10	150	-100 °C to +250 °C
23710-31202320	23710-32202321	20	23	-/30	20/21	-/1,5	0,8	F10	150	-100 °C to +250 °C
23710-31252820	23710-32252821	25	28	-/35	20/21	-/1,5	0,8	F10	150	-100 °C to +250 °C
23710-31303430	23710-32303426	30	34	-/42	30/26	-/2	0,8	F10	150	-100 °C to +250 °C