

## Retaining clips

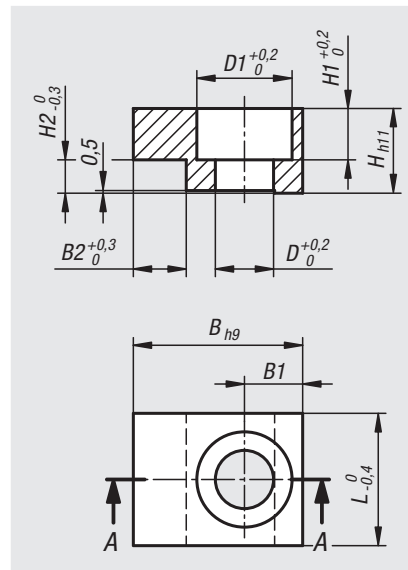
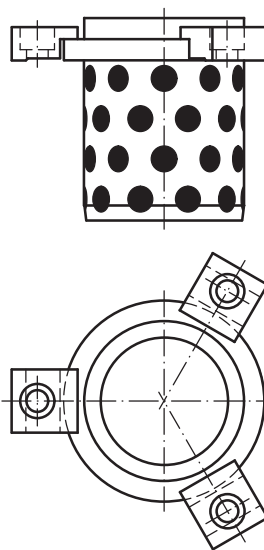
DIN 9832



**Material:**  
Steel.

**Sample order:**  
nlm 23682-2020

**Note:**  
The retaining clips are used to fixate the DIN 9834 / ISO 9448 guide bushes.



Order No.	B	B1	B2	D	D1	L	H	H1	H2
23682-2020	20	7,5	5	7	11	20	10	7	6,3
23682-2520	25	10	5	9	15	20	12	8,5	6,3
23682-3225	32	11	10	11	18	25	16	11,5	6,3

## Notes

