

# Guide bushes

DIN 9834 / ISO 9448, bronze, maintenance-free with collar



### Material:

Bronze with graphite inserts.

### Version:

Self-lubricating.

Hardness 190-220 HB.

### Sample order:

nIm 23681-02403204000

### Note:

The guide bushes are radially and axially applicable.

The bearing elements are maintenance-free and wear-resistant.

The graphite inserts provide life-long lubrication.

Preferably for travel speeds < 0.5 m/s. (Additional lubrication is recommended for extreme loading with a higher travel speeds).

### Temperature range:

Temporary temperature peaks up to ca. 200°C.

### Accessories:

Retaining clips.23682.

### Tolerances:

The bore for the bearings should correspond to ISO tolerance H7.

The tolerance h6 to h7 is recommended for the shaft.

### Technical data:

Material properties:

Base alloy: CuZn25Al6FeMn3

Density: 8.0 g/cm<sup>3</sup>

Tensile strength Rm: 750 N/mm<sup>2</sup>

Yield point: 450 N/mm<sup>2</sup>

Ductile fracture A5: 5-8%

Friction coefficient: 0.05 - 0.12

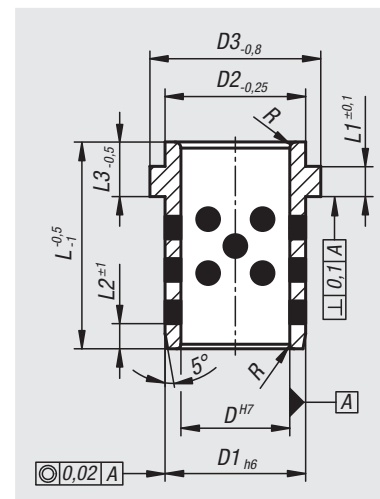
Maximum speed: 15 m/min

Thermal conductivity: 50 W/m x k

Thermal expansion coefficient: 18 x 10<sup>-6</sup>

Electrical conductivity: 7-8 m/(Ω x mm<sup>2</sup>)

Solid lubricant content: 25-30 %



Order No.	D	D1	D2	D3	L	L1	L2	L3	R
23681-02403204000	24	32	32	40	40	6,3	3	10	3
23681-02503203200	25	32	32	40	32	6,3	4	8	3
23681-02503204010	25	32	32	40	40	6,3	3	10	3
23681-02503204000	25	32	32	40	40	6,3	4	8	3
23681-03204005012	32	40	40	50	50	6,3	4	12	3
23681-04005006315	40	50	50	63	63	6,3	5	15	3
23681-05006307117	50	63	63	71	71	6,3	6,3	15	5