

Guide bushes

bronze, maintenance-free



Material:

Bronze with graphite inserts.

Version:

Self-lubricating.
Hardness 190-220 HB.

Sample order:

nIm 23680-050065070

Note:

The guide bushes are radially and axially applicable.
The bearing elements are maintenance-free and wear-resistant.
The graphite inserts provide life-long lubrication.

Preferably for travel speeds < 0.5 m/s. (Additional lubrication is recommended for extreme loading with a higher travel speeds).

Temperature range:

Temporary temperature peaks up to ca. 200°C.

Tolerances:

The bore for the bearings should correspond to ISO tolerance H7.

The tolerance h6 to h7 is recommended for the shaft.

Technical data:

Material properties:

Base alloy: CuZn25Al6FeMn3

Density: 8.0 g/cm³

Tensile strength Rm: 750 N/mm²

Yield point: 450 N/mm²

Ductile fracture A5: 5-8%

Friction coefficient: 0.05 - 0.12

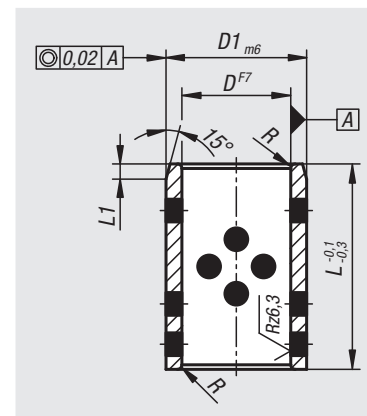
Maximum speed: 15 m/min

Thermal conductivity: 50 W/m x k

Thermal expansion coefficient: 18 x 10⁻⁶

Electrical conductivity: 7-8 m/(Ω x mm²)

Solid lubricant content: 25-30 %



Order No.	D	D1	L	L1	R
23680-0080110**	8	11	14/15	1	1
23680-0080120**	8	12	8/10/12/15	1	1
23680-0100140**	10	14	8/10/12/15/20	1	1
23680-0100150**	10	15	10	1	1
23680-0120160**	12	16	10/12/20	1	1
23680-0120180**	12	18	10/12/15/16/20/25/30	1	1
23680-0130190**	13	19	10/16/20	2	1
23680-0140200**	14	20	10/12/15/20/25/30	2	1
23680-0150210**	15	21	10/12/15/20/25/30	2	1
23680-0160200**	16	20	16/20/25/28	2	1
23680-0160220**	16	22	10/12/15/16/20/25/30/35/40	2	1
23680-0180240**	18	24	12/15/16/18/20/25/30/35/40	2	1
23680-0190260**	19	26	15/20	2	1
23680-0200260**	20	26	15/20/25/30	3	1
23680-0200280**	20	28	10/12/15/16/20/25/30/35/40/50	2	1
23680-0200300**	20	30	16/20/25/30/35/40	2	1
23680-0220320**	22	32	12/15/20/25	3	2
23680-0250300**	25	30	20	3	2
23680-0250330**	25	33	12/16/20/25/30/35/40/50/60	3	2
23680-0250350**	25	35	12/16/20/25/30/35/40/50/60	3	2
23680-0300380**	30	38	15/20/25/30/35/40/45/50/60	3	2
23680-0300400**	30	40	20/25/30/35/40/50/60	3	2
23680-0300450**	30	45	40	3	2
23680-0310400**	31	40	30/40	3	2
23680-0320420**	32	42	30/40	3	2
23680-0350440**	35	44	25/35/40/50/60	3	2
23680-0350450**	35	45	20/25/30/35/40/45/50/60/100	3	2
23680-0380480**	38	48	30/40	3	2
23680-0400500**	40	50	20/25/30/35/40/50/60/80	3	2
23680-0400550**	40	55	25/30/35/40/50/60	3	2
23680-0450550**	45	55	30/35/40/50/60/110	3	2
23680-0450560**	45	56	30/35/40/50/60	3	2
23680-0450600**	45	60	30/40/50/60/70/80	3	2
23680-0500600**	50	60	30/35/40/50/60/70/80	3	2
23680-0500620**	50	62	30/35/40/50/60/70/80	3	2
23680-0500650**	50	65	30/40/50/60/70/80/100	3	2