

Guide bushes, ceramic


Material:

High performance ceramic Z141.

Version:

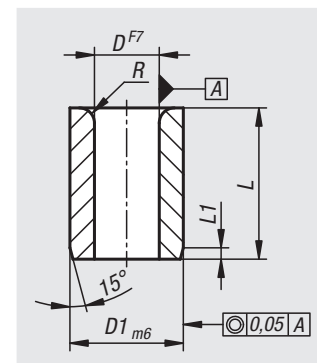
Ground

Sample order:

nIm 23679-0025005009

Advantages:

- Exceptionally wear-resistant
- Dimensionally stable even at high temperatures
- Electrically insulating
- Frequency neutral



Order No.	D	D1	L	L1	R
23679-0025005009	2,5	5	9	1	1
23679-0030006012	3	6	12	1	1
23679-0033006012	3,3	6	12	1	1
23679-0040007012	4	7	12	1	1
23679-0042008012	4,2	8	12	1	1
23679-0050008012	5	8	12	1	1
23679-0060010016	6	10	16	1,25	1,5
23679-0068012016	6,8	12	16	1,25	1,5
23679-0080012016	8	12	16	1,25	1,5
23679-0085015020	8,5	15	20	1,5	2