

igubal® pillow block bearings

**Material:**

Housing igumid® G.
Swivel ball iglidur® W300

Version:

black.

Sample order:

nIm 23500-05

Note:

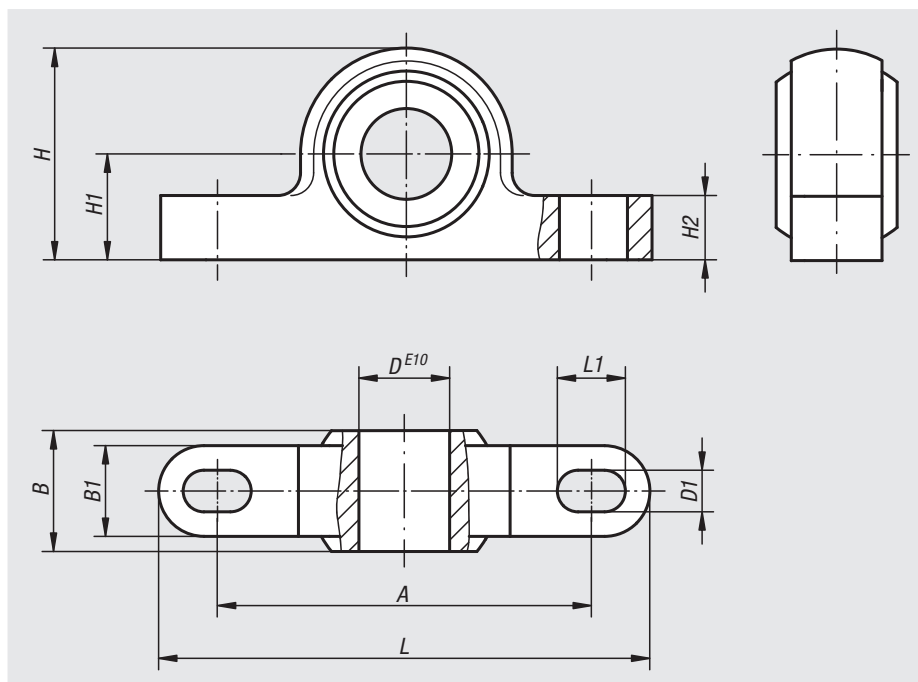
The ability to pivot allows pillow block bearings to compensate for misalignment and possible shaft deflection. They are easy to install and suitable for the accommodation of rotating, oscillating and linear movements.

igubal® pillow block bearings are maintenance free and conceived for dry running condition.

Assembly:

These pillow block bearings are designed for mounting with 2 screws.

The ID tolerance is E10. The matching shaft should have a tolerance of h6 to h9.



Order No.	A	B	B1	D	D1	H	H1	H2	L	L1	Max. swivel angle	Max. static tensile stress N short-term	Max. static tensile stress N long-term	Max. static axial pressure stress N	Max. tightening torque for oblong holes Nm
23500-05	26,7	8	6	5	3,3	14	7	4	34	5	30°	700	350	400	0,6
23500-06	34,5	9	7	6	4,5	18	10	5,5	43	6	29°	1100	550	400	1,3
23500-08	35,5	12	9	8	4,5	20	10	6	47	7	25°	1300	650	800	1,3
23500-10	48,5	14	10,5	10	5,5	26	14	7,5	62	8	25°	1500	750	1100	2,5
23500-12	49,5	16	12	12	5,5	28	14	8,5	65	9	25°	2200	1100	1150	2,5
23500-14	64,4	19	13,5	14	6,6	34	18	9,5	82	11	23°	2400	1200	1200	4,5
23500-16	65,4	21	15	16	6,6	36	18	10,5	86	12	23°	3000	1500	1800	4,5
23500-18	72	23	16,5	18	9	42	22	11,5	93	13	23°	3500	1750	1900	10,5
23500-20	73	25	18	20	9	44	22	13	98	14	23°	4700	2350	2500	10,5
23500-22	81	28	20	22	9	48	24	14	108	16	22°	6100	3050	2700	10,5
23500-25	94	31	22	25	9	54	27	16	124	17	22°	6600	3300	3200	10,5
23500-30	105	37	25	30	11	64	32	17	139	20	22°	8100	4050	3750	21,5