

Quick-fit couplings

with radial offset compensation



Material:

Coupling part and claw in steel.
Nut (DIN 439) in steel, grade 8.8.

Version:

Coupling part and flange tempered and phosphated.
Nut black oxidised.

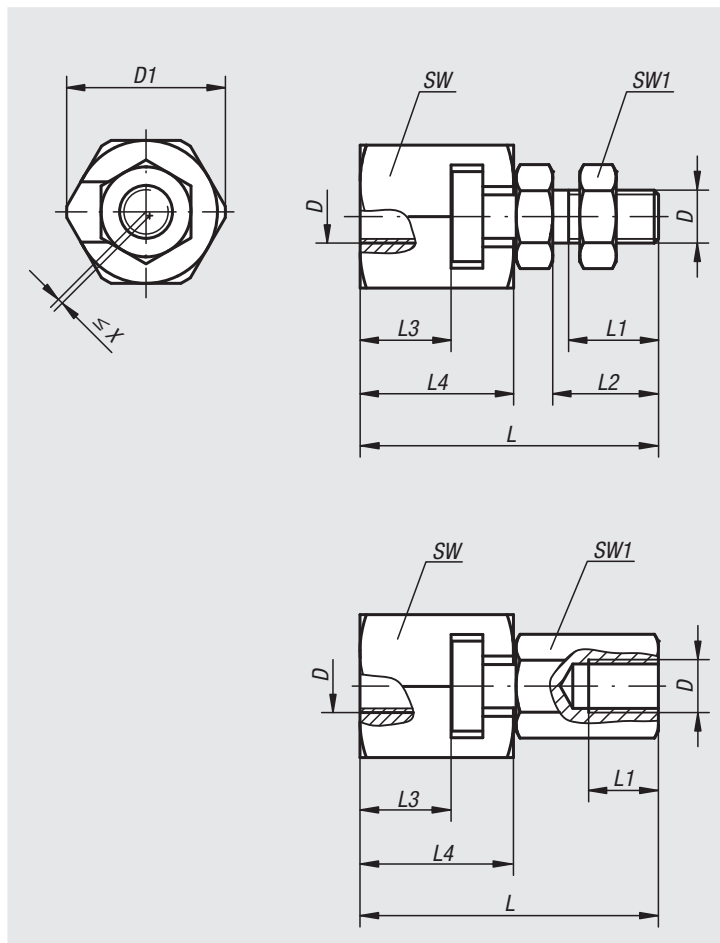
Sample order:

nIm 23450-16

Note:

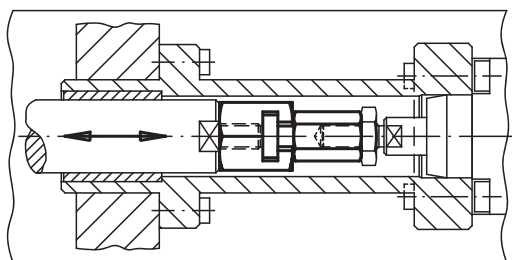
Quick-fit couplings with radial offset compensation for multiple applications, e.g. as a link between a piston rod and a linear-movement unit. Assembly and disassembly of this simple, solid and two-part coupling is carried out by means of a T-slot; a manual re-adjustment is not necessary. The quick-fit coupling can be linked to all commonly used pneumatic and hydraulic cylinders via the connecting thread.

The quick-fit coupling does not transmit any torque.



Quick-fit couplings

with radial offset compensation



Order No.	Version	D	D1	L	L1 min.	L2	L3 min.	L4	SW	SW1	radial offset compensation X max.	Max. permissible tensile and compressive stress kN
23450-06	internal thread	M6	21	37,5	11	-	9	18	19	10	0,6	2,5
23450-08	internal thread	M8	26	45	13,5	-	11,5	22,5	24	13	0,7	4,5
23450-10	internal thread	M10	30	56,2	15	-	16	29	27	17	0,7	6,5
23450-101	internal thread	M10x1,25	30	56,2	15	-	16	29	27	17	0,7	6,5
23450-12	internal thread	M12	32,5	66,7	17,5	-	17	34	30	19	0,8	10
23450-121	internal thread	M12x1,25	32,5	66,7	17,5	-	17	34	30	19	0,8	10
23450-16	internal thread	M16	39	83	22	-	23	42	36	24	1	18
23450-161	internal thread	M16x1,5	39	83	22	-	23	42	36	24	1	18
23450-20	internal thread	M20	44	93,5	25	-	23,5	45,5	41	30	1	30
23450-201	internal thread	M20x1,5	44	93,5	25	-	23,5	45,5	41	30	1	30
23450-0614	external thread	M6	21	37,5	11	14	9	18	19	10	0,6	2,5
23450-0817	external thread	M8	26	45	13,5	17	11,5	22,5	24	13	0,7	4,5
23450-1020	external thread	M10	30	56,2	16	20	16	29	27	17	0,7	6,5
23450-10201	external thread	M10x1,25	30	56,2	16	20	16	29	27	17	0,7	6,5
23450-1225	external thread	M12	32,5	66,7	21	25	17	34	30	19	0,8	10
23450-12251	external thread	M12x1,25	32,5	66,7	21	25	17	34	30	19	0,8	10
23450-1630	external thread	M16	39	83	25	30	23	42	36	24	1	18
23450-16301	external thread	M16x1,5	39	83	25	30	23	42	36	24	1	18
23450-2035	external thread	M20	44	93,5	29	35	23,5	45,5	41	30	1	30
23450-20351	external thread	M20x1,5	44	93,5	29	35	23,5	45,5	41	30	1	30