

Protective rubber sleeves

for universal and cardan joints (single)



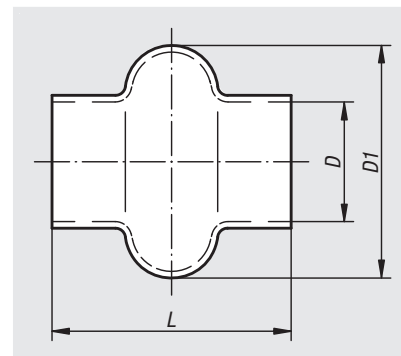
Sample order:
nlm 23414-16

Note:

These rubber sleeves fit over single joints from OD 16 mm. They are made of an elastic, oil-resistant plastic and are produced by a dipping method.

The No. 23414-50 is supplied with 4x bellows.

By diameter D, D1 can shrink by up to 10%. The length L can vary by $\pm 5\%$.



Order No.	D	D1	L	Suitable for single joints of shaft \emptyset (D1)
23414-16	16	34,5	34	16
23414-20	18	35	44	20
23414-24	23	44	56	24
23414-28	28	49	66	28
23414-32	32	56	63	32
23414-36	35	64	65	36
23414-40	38	64,5	74	40
23414-45	41	69	78	45
23414-50	50	85	100	50
23414-65	65	109	132	63
23414-70	70	119	144	70

Protective rubber sleeves

for universal and cardan joints (double)

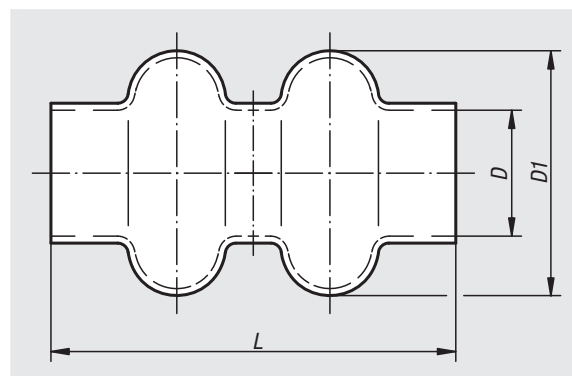


Sample order:
nlm 23415-16

Note:

These rubber sleeves fit over double joints from OD 16 mm. They are made of an elastic, oil-resistant plastic and are produced by a dipping method.

By diameter D, D1 can shrink by up to 10%. The length L can vary by $\pm 5\%$.



Order No.	D	D1	L	Suitable for double joints of shaft \emptyset (D1)
23415-16	16	33	55	16
23415-20	20	34	66	20
23415-24	22,5	42	81	24
23415-28	26,5	49	93	28
23415-32	30,5	59	105,5	32
23415-40	38	72	131	40
23415-50	48	88	163	50