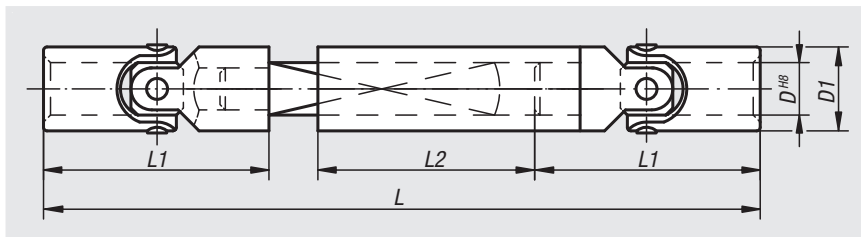


# Cardan shafts telescopic

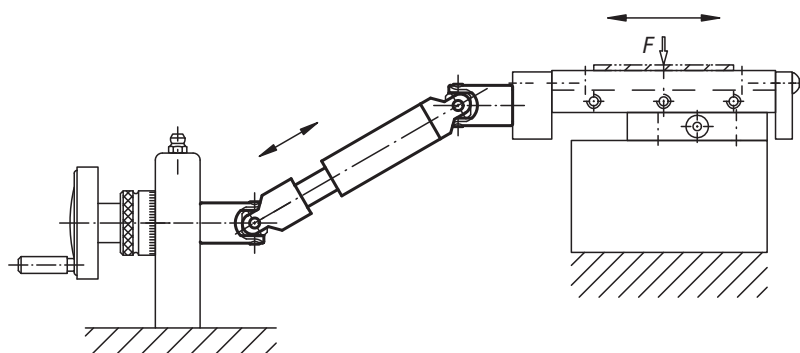


**Material:**  
Steel.

**Version:**  
Bright.

**Sample order:**  
nlm 23412-120260

**Note:**  
These cardan shafts consist of two robust universal joints, one square shaft and a sliding sleeve. They are available in any desired length on request. Telescopic cardan shafts are suitable for manual drives or short-term machine drives at low speed.



| Order No.    | D  | D1 | L   | L1 | L2  | Extension | Shaft profile square | static fracture torque in Nm |
|--------------|----|----|-----|----|-----|-----------|----------------------|------------------------------|
| 23412-100230 | 10 | 16 | 230 | 52 | 120 | 80        | 8                    | 35                           |
| 23412-120260 | 12 | 20 | 260 | 62 | 130 | 90        | 10                   | 80                           |
| 23412-160340 | 16 | 25 | 340 | 74 | 160 | 110       | 12                   | 140                          |
| 23412-200420 | 20 | 32 | 420 | 86 | 200 | 130       | 16                   | 280                          |