

Universal joints double

with plain bearing, robust version DIN 808



Material:

Steel.

Version:

Bright.

Sample order:

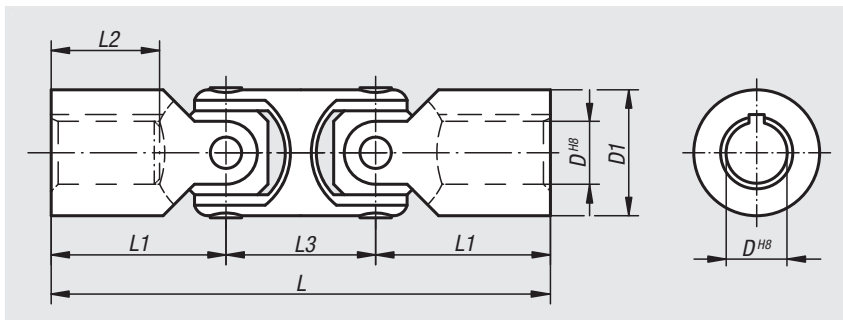
nIm 23410-10074

Note:

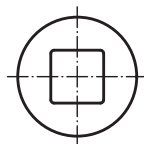
Robust universal joints are suitable for manual drives of elevating platforms, slides, shutters etc. or for short-time machine drives at low speed.

Double universal joints with plain bearing can be swivelled by 70°.

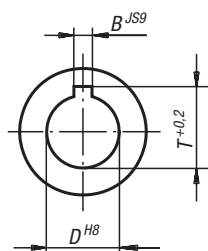
Max. transferable torque (Nm) at 150 rpm, operation angle $\alpha < 5^\circ$.



On request:



DIN 6885-1



Order No. reamed hole without slot	Order No. reamed hole with slot	D	D1	L	L1	L2	L3	B	T	Max. torque Nm	static fracture torque Nm
23410-08060	23410-108060	8	13	60	21	11	18	2	9	4	25
23410-10074	23410-110074	10	16	74	26	15	22	3	11,4	6	35
23410-12088	23410-112088	12	20	88	31	18	26	4	13,8	13	80
23410-16104	23410-116104	16	25	104	37	22	30	5	18,3	23	140
23410-20124	23410-120124	20	32	124	43	25	37	6	22,8	46	280
23410-25156	23410-125156	25	40	156	54	32	47	8	28,3	90	600
23410-32188	23410-132188	32	50	188	66	40	56	10	35,3	180	1100