

Universal joints single

with plain bearing, robust version DIN 808



Material:

Steel.

Version:

Bright.

Sample order:

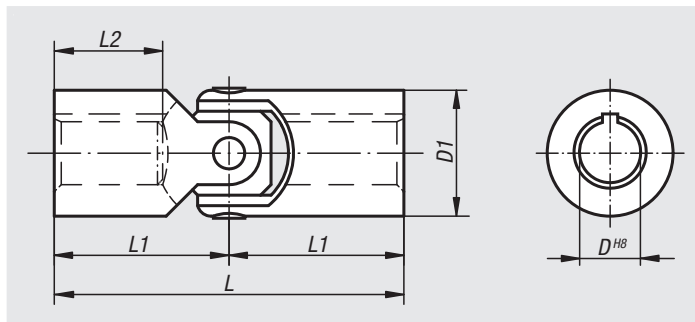
nIm 23409-08042

Note:

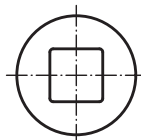
Robust universal joints are suitable for manual drives on elevating platforms, slides, shutters etc. or for short-time machine drives at low speed.

Single universal joints with plain bearing can be swivelled by 35°.

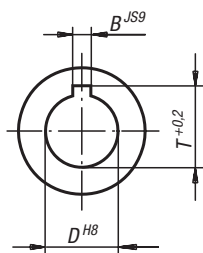
Max. transferable torque (Nm) at 150 rpm, operation angle $\alpha < 5^\circ$.



On request:



DIN 6885-1



Order No. reamed hole without slot	Order No. reamed hole with slot	D	D1	L	L1	L2	B	T	Max. torque Nm	static fracture torque Nm
23409-08042	23409-108042	8	13	42	21	11	2	9	4	25
23409-10052	23409-110052	10	16	52	26	15	3	11,4	6	35
23409-12062	-	12	20	62	31	18	4	13,8	13	80
23409-16074	23409-116074	16	25	74	37	22	5	18,3	23	140
23409-20086	23409-120086	20	32	86	43	25	6	22,8	46	280
23409-25108	23409-125108	25	40	108	54	32	8	28,3	90	600
23409-32132	23409-132132	32	50	132	66	40	10	35,3	180	1100
-	23409-112062	12	22	62	31	18	4	13,8	13	80