

Universal joints double

with needle bearing, DIN 808



Material:
Steel.

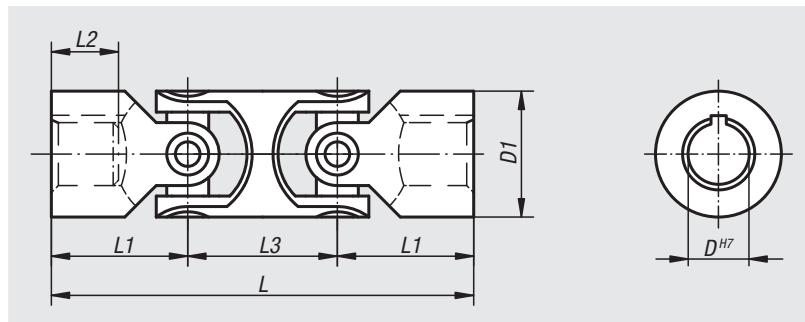
Version:
Joint ground, bright.

Sample order:
nlm 23407-12086

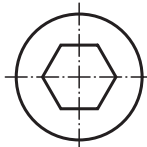
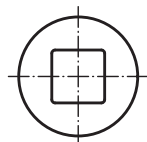
Note:
Double universal joints with needle bearing are used for speeds of 1000 to 4000 rpm. They have minimal play and are maintenance-free.

Max. transferable torque (Nm) at 150 rpm, operation angle $\alpha < 5^\circ$.

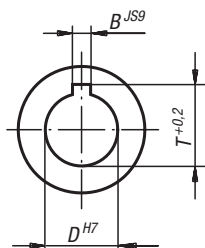
* Bore depth is less than by DIN 808.



On request:



DIN 6885-1



Order No. reamed hole without slot	Order No. reamed hole with slot	D	D1	L	L1	L2	L3	B	T	Max. torque Nm	static fracture torque Nm
23407-10074	23407-110074	10	20	74	24	12*	26	3	11,4	10	80
23407-12086	23407-112086	12	25	86	28	14*	30	4	13,8	16	120
23407-16104	23407-116104	16	32	104	34	16*	37	5	18,3	35	250
23407-20128	23407-120128	20	40	128	41	20*	47	6	22,8	80	500
23407-25160	23407-125160	25	50	160	52	25*	56	8	28,3	130	800
23407-30238	23407-130238	30	63	238	83	38*	72	8	33,3	240	1500
23407-35212	23407-135212	35	70	212	70	35*	72	10	38,3	360	2200