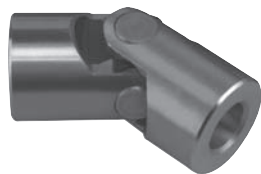


Universal joints single

with needle bearing, DIN 808



Material:
Steel.

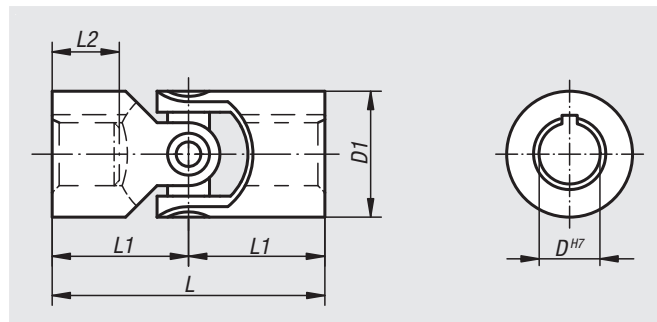
Version:
Joint ground, bright.

Sample order:
nlm 23406-10048

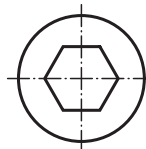
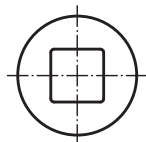
Note:
Single universal joints with needle bearings are used for speeds of 1000 to 4000 rpm. They have minimal play and are maintenance-free.

Max. transferable torque (Nm) at 150 rpm, operation angle $\alpha < 5^\circ$.

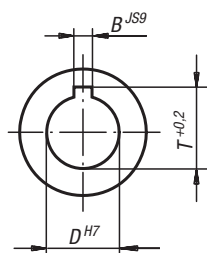
* Bore depth is less than by DIN 808.



On request:



DIN 6885-1



Order No. reamed hole without slot	Order No. reamed hole with slot	D	D1	L	L1	L2	B	T	Max. torque Nm	static fracture torque Nm
23406-10048	23406-110048	10	20	48	24	12*	3	11,4	10	80
23406-12056	23406-112056	12	25	56	28	14*	4	13,8	16	120
23406-16068	23406-116068	16	32	68	34	16*	5	18,3	35	250
23406-20082	23406-120082	20	42	82	41	20*	6	22,8	80	500
23406-25104	23406-125104	25	50	104	52	25*	8	28,3	130	800
23406-30166	23406-130166	30	58	122	61	29	8	33,3	240	1500
23406-35140	23406-135140	35	70	140	70	35*	10	38,3	360	2200