

# Universal joints double

with plain bearing, DIN 808



**Material:**

Steel.

**Version:**

Joint and bearing hardened

**Sample order:**

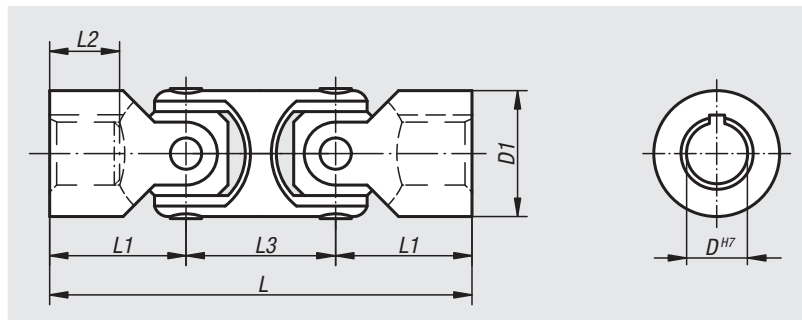
nIm 23404-06056

**Note:**

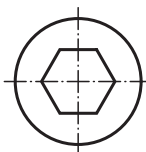
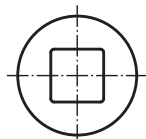
Double universal joints with plain bearing can be swivelled by 90°.

Max. transferable torque (Nm) at 150 rpm, operation angle  $\alpha < 5^\circ$ .

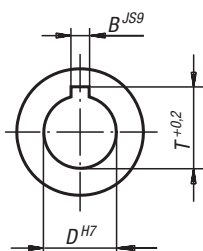
\* Bore depth is less than by DIN 808.



On request:



DIN 6885-1



Order No. reamed hole without slot	Order No. reamed hole with slot	D	D1	L	L1	L2	L3	B	T	Max. torque Nm	static fracture torque Nm
23404-06056	-	6	16	56	17	9*	22	2	7	7	40
23404-08062	23404-108062	8	16	62	20	11*	22	2	9	7	40
23404-10074	23404-110074	10	20	74	24	12*	26	3	11,4	16	90
23404-12086	23404-112086	12	25	86	28	14*	30	4	13,8	26	150
23404-16104	23404-116104	16	32	104	34	16*	37	5	18,3	52	300
23404-20128	23404-120128	20	40	128	41	20*	47	6	22,8	100	650
23404-25160	23404-125160	25	50	160	52	25*	56	8	28,3	210	1200