

Shaft-hub clamping sets

stainless steel



Material:

Stainless steel 1.4301.

Version:

Bright.

Sample order:

nIm 23370-040008

Note:

Self-centring and play-free shaft/hub clamping sets with a very low moment of inertia and minimal space requirement. The clamping sets produce a friction connection between shaft and hub. Central nut for quick mounting. After the nut is loosened, the set can be removed with a puller tool.

Clamping set concentricity ± 0.01 mm.

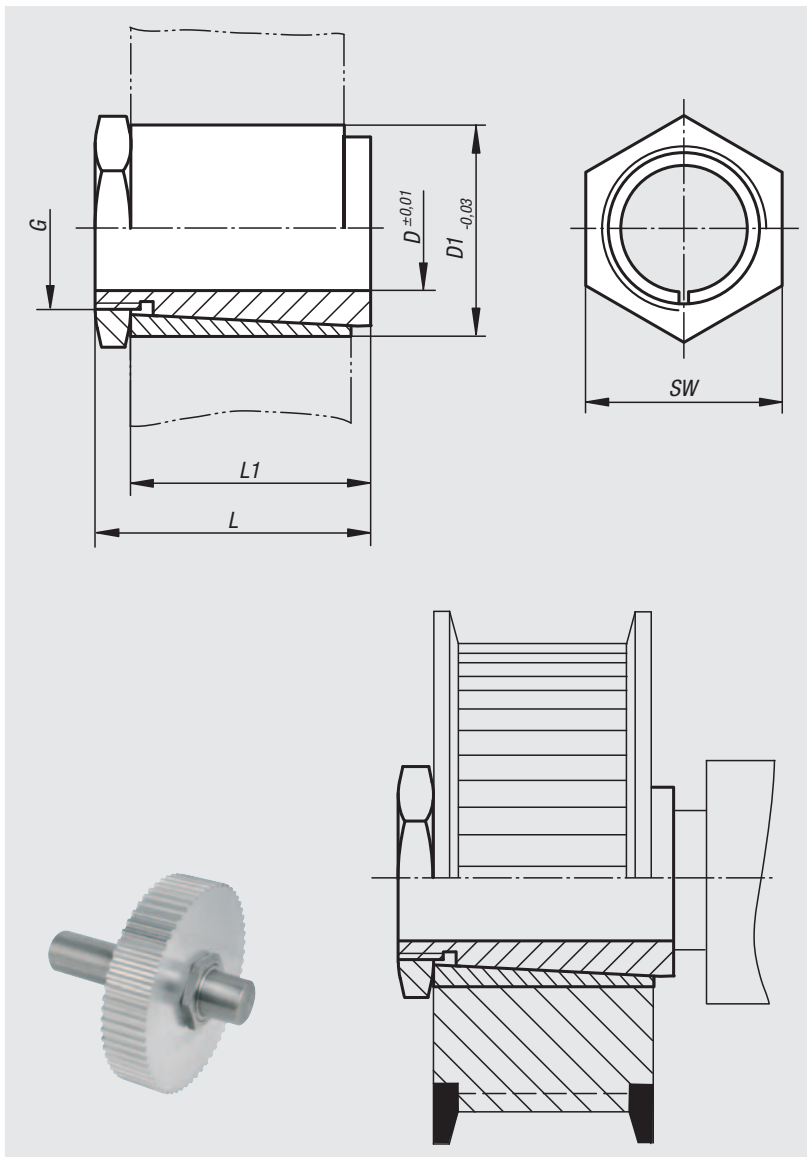
Assembly:

To achieve the specified torque, the clamping set must be installed grease-free. The entire length of the clamping set must be in contact with the shaft. For maximum torque the shaft and hub must be sufficiently firm (min. yield strength 350 N/mm²).

Required tolerances:

Shaft: h7

Hub: H7



Order No.	D	D1	L	L1	G	SW	Tightening torque max. Nm	Transmissible torque T Nm
23370-040008	4	8	15	12,5	M6x0,5	8	4	3
23370-050010	5	10	15	12,5	M8x0,5	10	5	4
23370-060010	6	10	15	12,5	M8x0,5	10	8	7
23370-063510	6,35	10	15	12,5	M8x0,5	10	8	7
23370-080014	8	14	22	19	M12x1	17	15	14
23370-090014	9	14	22	19	M12x1	17	15	14
23370-100017	10	17	22	18,5	M15x1	19	19	18
23370-120017	12	17	22	18,5	M15x1	19	19	18
23370-140020	14	20	28	23	M17x1	22	25	24
23370-150020	15	20	28	23	M17x1	22	25	24
23370-160023	16	23	28	23	M20x1	27	27	26
23370-190025	19	25	28	23	M22x1	27	30	29
23370-200028	20	28	28	23	M25x1	30	32	31