

Keyless locking couplings with central nut


Material:

Steel.

Version:

Bright.

Sample order:

nlm 23368-0516

Note:

Keyless locking coupling with low mass and moment of inertia. Easy to connect and release – no jamming on the shaft. Perfect for zero backlash connections. Excellent concentricity and running. Suitable for keyed and keyless shafts.

- for shaft diameters from 5 to 35 mm
- for high torques
- minimum axial offset when mounting
- self-centring

Assembly:

Shaft and hub must be free of oil, grease and dirt. Do not lubricate keyless locking coupling. Insert keyless locking coupling in the hub seat and slide onto shaft. Tighten nut by hand and use a torque wrench to tighten to the defined tightening torque.

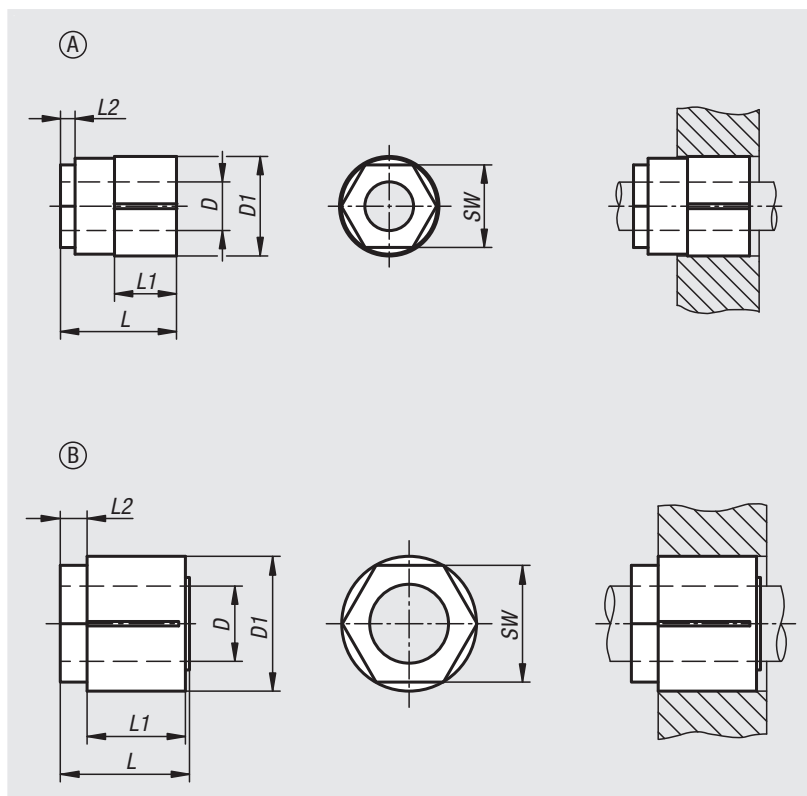
Tolerances:

Shaft diameter and hub hole

Form A ± 0.04 mm.

Form B ± 0.08 mm.

Surface quality $Rz \leq 16$ μm .



Keyless locking couplings with central nut

Order No.	Form	D	D1	L	L1	L2	SW	Max. torque M Nm with tightening torque MS	Max. axial force F kN with tightening torque MS	Surface pressure on hub P N/mm ²	Tightening torque MS Nm
23368-0516	A	5	16	19	9,5	3	13	10	4	110	18
23368-0616	A	6	16	19	9,5	3	13	13	4,3	110	18
23368-0720	A	7	20	22	11	3	16	13	3,7	65	20
23368-0820	A	8	20	22	11	3	16	15	3,75	65	20
23368-0920	A	9	20	22	11	3	16	18	4	65	20
23368-1023	A	10	23	25,5	12,5	5	19	23	4,6	55	25
23368-1123	A	11	23	25,5	12,5	5	19	25	4,5	55	25
23368-1223	A	12	23	25,5	12,5	5	19	28	4,6	55	25
23368-1426	A	14	26	28,5	16	5	22	46	6,6	64	50
23368-1526	A	15	26	28,5	16	5	22	49	6,59	64	50
23368-1626	A	16	26	28,5	16	5	22	52	6,5	64	50
23368-1732	B	17	32	33	21	11	30	174	18	100	110
23368-1832	B	18	32	33	21	11	30	198	21	92	110
23368-2035	B	20	35	35	23	11	32	258	26	82	150
23368-2235	B	22	35	35	23	11	32	293	27	80	150
23368-2438	B	24	38	35	23	11	36	330	29	87	185
23368-2538	B	25	38	35	23	11	36	368	31	94	185
23368-3045	B	30	45	37	25	11	46	550	45	108	300
23368-3250	B	32	50	41	28	12	50	616	44	100	265
23368-3550	B	35	50	41	28	12	50	681	42	91	265