

# Keyless locking couplings Form H

for high torques



**Material:**  
Steel.

**Version:**  
Bright.

**Sample order:**  
nlm 23362-2555

**Note:**  
Keyless locking coupling for extremely high torques.

- for shaft diameters from 25 to 85 mm
- for high torques
- minimum axial offset when mounting
- self-centring

**Assembly:**

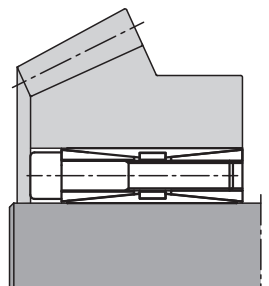
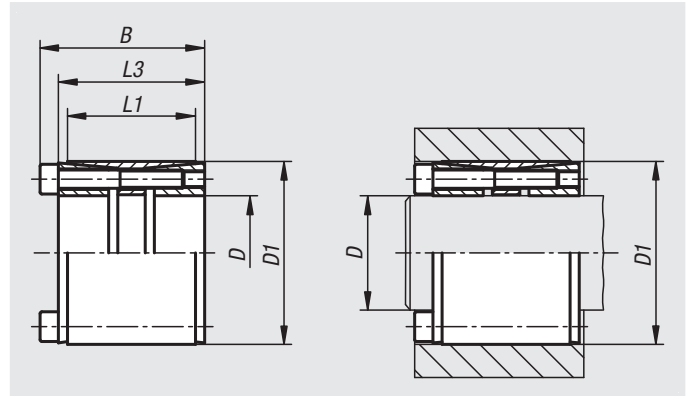
Lightly oil keyless locking coupling on the tapered faces and contact points of the shaft and hub. Do not use MoS2 or grease. Insert keyless locking coupling in the hub seat and slide onto shaft. Tighten screws crosswise in several increments to the defined tightening torque.

Dismantling: Remove all screws and screw into the extraction threads of the front flange. Tighten screws crosswise in several steps until the keyless locking coupling loosens.

**Tolerances:**

Shaft:  
Recommended tolerance h8.  
Surface quality  $R_z \leq 16 \mu\text{m}$ .

Hub:  
Recommended tolerance H8.  
Surface quality  $R_z \leq 16 \mu\text{m}$ .



# Keyless locking couplings Form H

for high torques

Order No.	D	D1	B	L1	L3	Max. torque M Nm with tightening torque MS	Max. axial force F kN with tightening torque MS
23362-2555	25	55	46	32	40	649	64
23362-2855	28	55	46	32	40	875	64
23362-3055	30	55	46	32	40	950	64
23362-3560	35	60	60	44	54	1300	74
23362-3865	38	65	60	45	54	1600	84
23362-4065	40	65	60	45	54	1680	84
23362-4275	42	75	62	44	54	2800	135
23362-4575	45	75	62	44	54	3050	135
23362-4880	48	80	75	56	67	3700	155
23362-5080	50	80	74	56	66	3950	155
23362-5585	55	85	74	56	66	4900	174
23362-6090	60	90	74	56	66	5900	193
23362-6595	65	95	74	56	66	6450	193
23362-70110	70	110	90	70	80	10950	313
23362-75115	75	115	90	70	80	11700	313
23362-80120	80	120	90	70	80	13750	344
23362-85125	85	125	90	70	80	16000	375

Order No.	Surface pressure on shaft P N/mm <sup>2</sup>	Surface pressure on hub P N/mm <sup>2</sup>	No. of screws	Tightening torque MS Nm
23362-2555	155	80	6 x M6	17
23362-2855	250	95	6 x M6	17
23362-3055	235	95	6 x M6	17
23362-3560	165	75	7 x M6	17
23362-3865	165	95	8 x M6	17
23362-4065	155	95	8 x M6	17
23362-4275	250	110	7 x M8	41
23362-4575	235	110	7 x M8	41
23362-4880	195	90	8 x M8	41
23362-5080	185	90	8 x M8	41
23362-5585	190	100	9 x M8	41
23362-6090	195	100	10 x M8	41
23362-6595	180	95	10 x M8	41
23362-70110	210	110	10 x M10	83
23362-75115	200	105	10 x M10	83
23362-80120	205	110	11 x M10	83
23362-85125	210	115	12 x M10	83