

Keyless locking couplings Form G

stainless steel



Material:

Coupling stainless steel 1.4057.
Screws stainless steel 1.4301.

Version:

Bright.

Sample order:

nIm 23360-01-2047

Note:

Keyless locking coupling for shaft and hub. Extremely small design, ideal for use in tight spaces. Self-release during dismantling.

- for shaft diameters 20 - 80 mm
- no axial offset when mounting
- not self-centring (concentricity of hub to shaft depends on the fit and length of the guide)

Assembly:

Lightly oil keyless locking coupling on the tapered faces and contact points of the shaft and hub. Do not use MoS2 or grease. Insert keyless locking coupling in the hub seat and slide onto shaft. Tighten screws crosswise in several increments to the defined tightening torque.

Dismantling: Remove all screws and screw into the extraction threads of the front flange. Tighten screws crosswise in several steps until the keyless locking coupling loosens.

Tolerances:

Shaft:

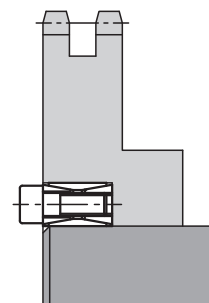
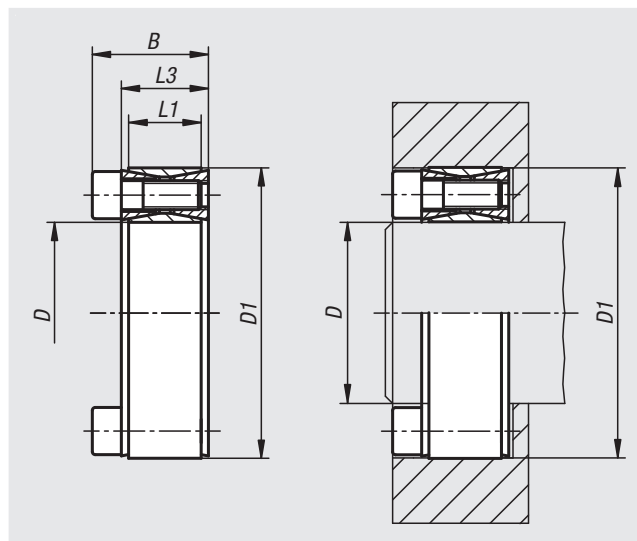
Recommended tolerance h11.

Surface quality $R_z \leq 16 \mu\text{m}$.

Hub:

Recommended tolerance H11.

Surface quality $R_z \leq 16 \mu\text{m}$.



Order No.	D	D1	B	L1	L3	Max. torque M Nm with tightening torque MS	Max. axial force F kN with tightening torque MS	Surface pressure on shaft P N/mm ²	Surface pressure on hub P N/mm ²	No. of screws	Tightening torque MS Nm
23360-01-2047	20	47	26	17	20	110	11	133	57	8 x M6	8
23360-01-2550	25	50	26	17	20	155	12	120	60	9 x M6	8
23360-01-3055	30	55	26	17	20	185	12	100	55	10 x M6	8
23360-01-3560	35	60	26	17	20	290	16	114	67	12 x M6	8
23360-01-4065	40	65	26	17	20	410	20	125	77	15 x M6	8
23360-01-4575	45	75	32	20	24	635	28	129	78	12 x M8	18
23360-01-5080	50	80	32	20	24	700	28	116	73	12 x M8	18
23360-01-5585	55	85	32	20	24	905	33	123	80	14 x M8	18
23360-01-6090	60	90	32	20	24	990	33	113	76	14 x M8	18
23360-01-6595	65	95	32	20	24	1225	37	119	82	16 x M8	18
23360-01-70110	70	110	38	24	28	1875	53	131	84	14 x M10	35
23360-01-75115	75	115	38	24	28	2010	53	123	80	14 x M10	35
23360-01-80120	80	120	38	24	28	2145	53	115	77	14 x M10	35