

Keyless locking couplings Form F

short version with axial ring



Material:

Steel.

Version:

Bright.

Sample order:

nIm 23358-1947

Note:

Keyless locking coupling with short axial width.

- for shaft diameters from 19 to 85 mm
- for medium to high torques
- no axial offset when mounting
- self-centring

Assembly:

Lightly oil keyless locking coupling on the tapered faces and contact points of the shaft and hub. Do not use MoS2 or grease. Insert keyless locking coupling in the hub seat and slide onto shaft. Tighten screws crosswise in several increments to the defined tightening torque.

Dismantling: Remove all screws and screw into the extraction threads of the front flange. Tighten screws crosswise in several steps until the keyless locking coupling loosens.

Tolerances:

Shaft:

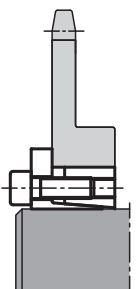
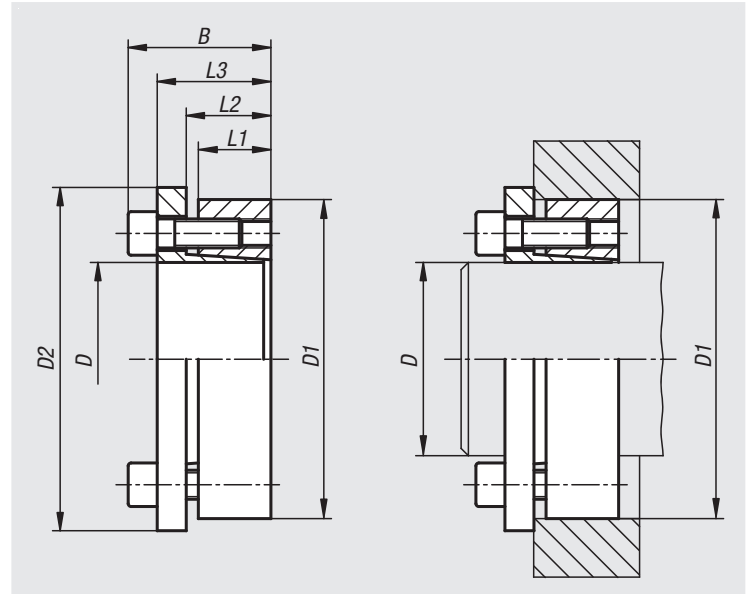
Recommended tolerance h8.

Surface quality $R_z \leq 16 \mu\text{m}$.

Hub:

Recommended tolerance H8.

Surface quality $R_z \leq 16 \mu\text{m}$.



Keyless locking couplings Form F

short version with axial ring

Order No.	D	D1	D2	B	L1	L2	L3	Max. torque M Nm with tightening torque MS	Max. axial force F kN with tightening torque MS
23358-1947	19	47	56	34	17	23	28	270	28
23358-2047	20	47	56	34	17	23	28	280	28
23358-2247	22	47	56	34	17	23	28	310	28
23358-2450	24	50	59	34	17	23	28	400	32
23358-2550	25	50	59	34	17	23	28	440	34
23358-2855	28	55	64	34	17	23	28	490	34
23358-3055	30	55	64	34	17	23	28	530	34
23358-3260	32	60	69	34	17	23	28	750	46
23358-3560	35	60	69	34	17	23	28	820	46
23358-3865	38	65	74	34	17	23	28	890	46
23358-4065	40	65	74	34	17	23	28	940	46
23358-4275	42	75	84	41	20	27	33	1600	70
23358-4575	45	75	84	41	20	27	33	1720	70
23358-4880	48	80	89	41	20	27	33	1740	70
23358-5080	50	80	89	41	20	27	33	1890	74
23358-5585	55	85	94	41	20	27	33	2400	76
23358-6090	60	90	99	41	20	27	33	2650	76
23358-6595	65	95	104	41	20	27	33	3190	80
23358-70110	70	110	119	50	24	32	40	4910	130
23358-75115	75	115	124	50	24	32	40	5150	130
23358-80120	80	120	129	50	24	32	40	5490	130
23358-85125	85	125	134	50	24	32	40	6620	140

Order No.	Surface pressure on shaft P N/mm ²	Surface pressure on hub P N/mm ²	No. of screws	Tightening torque MS Nm
23358-1947	215	95	5 x M6	17
23358-2047	215	95	5 x M6	17
23358-2247	195	95	5 x M6	17
23358-2450	215	105	6 x M6	17
23358-2550	210	105	6 x M6	17
23358-2855	195	100	6 x M6	17
23358-3055	185	100	6 x M6	17
23358-3260	210	110	8 x M6	17
23358-3560	185	110	8 x M6	17
23358-3865	190	110	8 x M6	17
23358-4065	185	110	8 x M6	17
23358-4275	240	130	7 x M8	41
23358-4575	225	130	7 x M8	41
23358-4880	234	130	7 x M8	41
23358-5080	205	125	7 x M8	41
23358-5585	210	130	8 x M8	41
23358-6090	185	120	8 x M8	41
23358-6595	195	130	9 x M8	41
23358-70110	215	135	8 x M10	83
23358-75115	195	125	8 x M10	83
23358-80120	185	120	8 x M10	83
23358-85125	195	130	9 x M10	83