

# Keyless locking couplings, Form D

stainless steel



## Material:

Coupling stainless steel 1.4057.  
Screws stainless steel 1.4301.

## Version:

Bright.

## Sample order:

nIm 23354-01-0616

## Note:

For applications that require a small construction volume and low surface pressure. The keyless locking coupling can be fully recessed in a hub connection.

- for shaft diameters 6 - 20 mm
- suitable for hubs with low wall thickness
- minimum axial offset possible
- self-centring

## Assembly:

Lightly oil keyless locking coupling on the tapered faces and contact points of the shaft and hub. Do not use MoS2 or grease. Insert keyless locking coupling in the hub seat and slide onto shaft. Tighten screws crosswise in several increments to the defined tightening torque.

Dismantling: Remove all screws and screw into the extraction threads of the front flange. Tighten screws crosswise in several steps until the keyless coupling loosens.

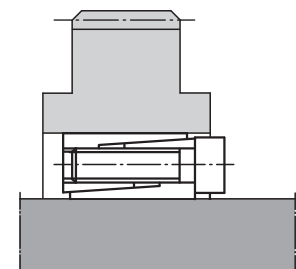
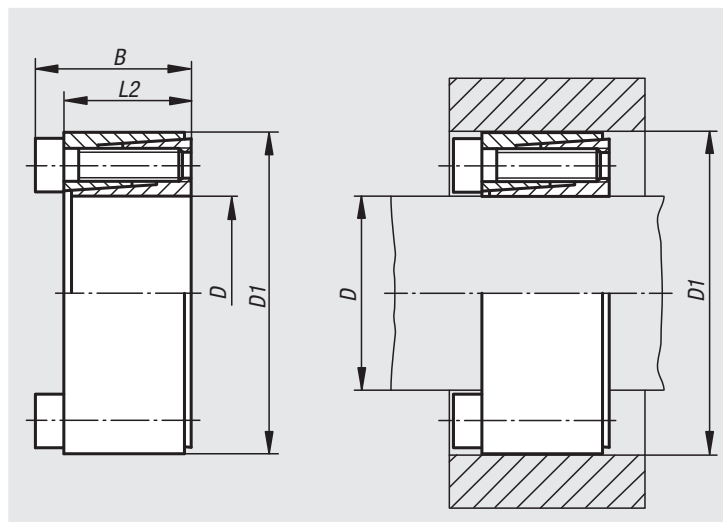
## Tolerances:

Shaft:

Recommended tolerance h8.  
Surface quality  $Rz \leq 16 \mu\text{m}$ .

Hub:

Recommended tolerance H8.  
Surface quality  $Rz \leq 16 \mu\text{m}$ .



Order No.	D	D1	B	L2	Max. torque M Nm with tightening torque MS	Max. axial force F kN with tightening torque MS	Surface pressure on shaft P N/mm <sup>2</sup>	Surface pressure on hub P N/mm <sup>2</sup>	No. of screws	Tightening torque MS Nm
23354-01-0616	6	16	13,5	11	3	0,9	49	19	3 x M2,5	0,5
23354-01-0717	7	17	13,5	11	3	0,9	42	17	3 x M2,5	0,5
23351-01-0818	8	18	13,5	11	4	0,9	37	17	3 x M2,5	0,5
23354-01-0920	9	20	15,5	13	6	1,2	37	17	4 x M2,5	0,5
23354-01-1020	10	20	15,5	13	6	1,2	33	17	4 x M2,5	0,5
23354-01-1122	11	22	15,5	13	7	1,2	30	15	4 x M2,5	0,5
23354-01-1222	12	22	15,5	13	7	1,2	26	15	4 x M2,5	0,5
23354-01-1426	14	26	20	17	13	1,9	28	15	4 x M3	0,9
23354-01-1528	15	28	20	17	14	1,9	26	14	4 x M3	0,9
23354-01-1632	16	32	21	17	28	3,5	45	23	4 x M4	2,2
23354-01-1835	18	35	25	21	32	3,5	32	17	4 x M4	2,2
23354-01-1935	19	35	25	21	34	3,5	31	17	4 x M4	2,2
23354-01-2038	20	38	26	21	55	5,5	45	24	4 x M5	4,2