

# Keyless locking couplings Form C

with axial ring



**Material:**

Steel.

**Version:**

Bright.

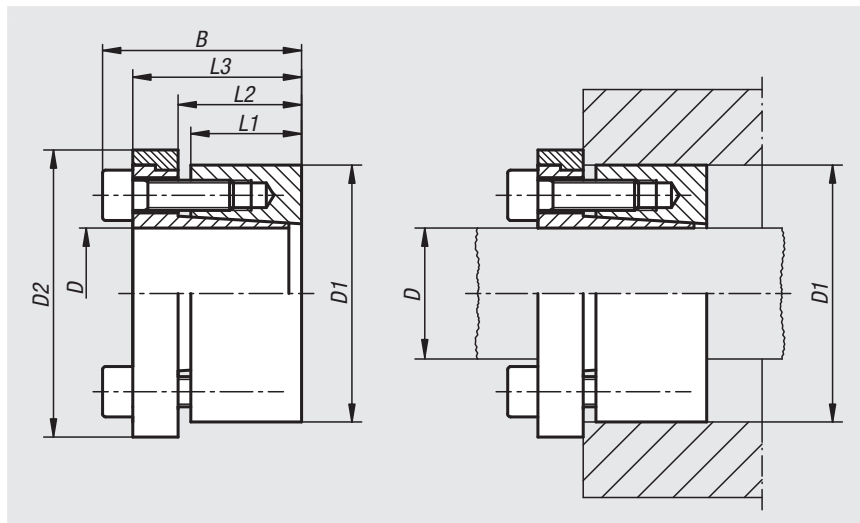
**Sample order:**

nIm 23352-1947

**Note:**

These keyless locking couplings are universally applicable.

- for shaft diameters from 19 to 85 mm
- for medium to high torques
- suitable for hubs with low wall thickness
- no axial offset
- self-centring



| Order No.   | D  | D1  | D2  | B  | L1 | L2 | L3 | Max. torque M Nm<br>with<br>tightening torque MS | Max. axial force F kN<br>with<br>tightening torque MS |
|-------------|----|-----|-----|----|----|----|----|--|---|
| 23352-1947  | 19 | 47  | 53  | 45 | 26 | 31 | 39 | 320  | 33  |
| 23352-2047  | 20 | 47  | 53  | 45 | 26 | 31 | 39 | 330  | 33  |
| 23352-2247  | 22 | 47  | 53  | 45 | 26 | 31 | 39 | 370  | 33  |
| 23352-2450  | 24 | 50  | 56  | 45 | 26 | 31 | 39 | 400  | 33  |
| 23352-2550  | 25 | 50  | 56  | 45 | 26 | 31 | 39 | 420  | 33  |
| 23352-2855  | 28 | 55  | 61  | 45 | 26 | 31 | 39 | 470  | 33  |
| 23352-3055  | 30 | 55  | 61  | 45 | 26 | 31 | 39 | 500  | 33  |
| 23352-3260  | 32 | 60  | 66  | 45 | 26 | 31 | 39 | 710  | 44  |
| 23352-3560  | 35 | 60  | 66  | 45 | 26 | 31 | 39 | 780  | 44  |
| 23352-3865  | 38 | 65  | 71  | 45 | 26 | 31 | 39 | 850  | 44  |
| 23352-4065  | 40 | 65  | 71  | 45 | 26 | 31 | 39 | 890  | 44  |
| 23352-4275  | 42 | 75  | 81  | 55 | 30 | 36 | 47 | 1270   | 61  |
| 23352-4575  | 45 | 75  | 81  | 55 | 30 | 36 | 47 | 1360   | 61  |
| 23352-4880  | 48 | 80  | 86  | 55 | 30 | 36 | 47 | 1940   | 81  |
| 23352-5080  | 50 | 80  | 86  | 55 | 30 | 36 | 47 | 2020   | 81  |
| 23352-5585  | 55 | 85  | 91  | 55 | 30 | 36 | 47 | 2220   | 81  |
| 23352-6090  | 60 | 90  | 96  | 55 | 30 | 36 | 47 | 2430   | 81  |
| 23352-6595  | 65 | 95  | 101 | 55 | 30 | 36 | 47 | 2630   | 81  |
| 23352-70110 | 70 | 110 | 116 | 72 | 40 | 46 | 62 | 4580   | 131   |
| 23352-75115 | 75 | 115 | 121 | 72 | 40 | 46 | 62 | 4900   | 131   |
| 23352-80120 | 80 | 120 | 126 | 72 | 40 | 46 | 62 | 5230   | 131   |
| 23352-85125 | 85 | 125 | 131 | 72 | 40 | 46 | 62 | 6950   | 163   |

# Keyless locking couplings Form C

with axial ring

## Assembly:

Lightly oil keyless locking coupling on the tapered faces and contact points of the shaft and hub. Do not use MoS2 or grease. Insert keyless locking coupling in the hub seat and slide onto shaft. Tighten screws crosswise in several increments to the defined tightening torque.

Dismantling: Remove all screws and screw into the extraction threads of the front flange. Tighten screws crosswise in several steps until the keyless locking coupling loosens.

## Tolerances:

Shaft:

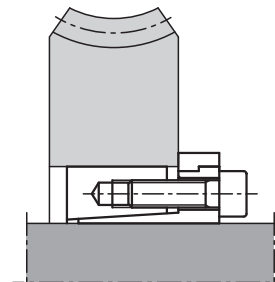
Recommended tolerance h8.

Surface quality  $R_z \leq 16 \mu\text{m}$ .

Hub:

Recommended tolerance H8.

Surface quality  $R_z \leq 16 \mu\text{m}$ .



| Order No.   | Surface pressure<br>on shaft P<br>N/mm <sup>2</sup> | Surface pressure<br>on hub P<br>N/mm <sup>2</sup> | No. of<br>screws | Tightening torque<br>MS<br>Nm |
|-------------|---|---|------------------|-------------------------------|
| 23352-1947  | 180   | 70  | 6 x M6           | 17                            |
| 23352-2047  | 170   | 70  | 6 x M6           | 17                            |
| 23352-2247  | 155   | 70  | 6 x M6           | 17                            |
| 23352-2450  | 140   | 70  | 6 x M6           | 17                            |
| 23352-2550  | 135   | 70  | 6 x M6           | 17                            |
| 23352-2855  | 120   | 60  | 6 x M6           | 17                            |
| 23352-3055  | 115   | 60  | 6 x M6           | 17                            |
| 23352-3260  | 140   | 75  | 8 x M6           | 17                            |
| 23352-3560  | 130   | 75  | 8 x M6           | 17                            |
| 23352-3865  | 120   | 70  | 8 x M6           | 17                            |
| 23352-4065  | 110   | 70  | 8 x M6           | 17                            |
| 23352-4275  | 130   | 70  | 6 x M8           | 41                            |
| 23352-4575  | 120   | 70  | 6 x M8           | 41                            |
| 23352-4880  | 150   | 90  | 8 x M8           | 41                            |
| 23352-5080  | 145   | 90  | 8 x M8           | 41                            |
| 23352-5585  | 130   | 85  | 8 x M8           | 41                            |
| 23352-6090  | 120   | 80  | 8 x M8           | 41                            |
| 23352-6595  | 110   | 75  | 8 x M8           | 41                            |
| 23352-70110 | 125   | 80  | 8 x M10          | 83                            |
| 23352-75115 | 115   | 75  | 8 x M10          | 83                            |
| 23352-80120 | 110   | 70  | 8 x M10          | 83                            |
| 23352-85125 | 125   | 85  | 10 x M10         | 83                            |