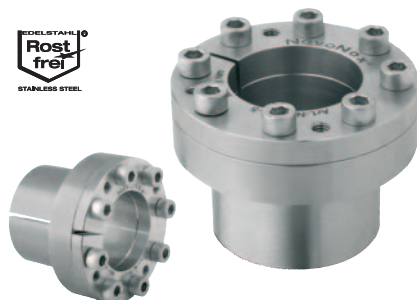


## Keyless locking couplings Form A

stainless steel



**Material:**

Coupling stainless steel 1.4057.  
Screws stainless steel 1.4301.

**Version:**

Bright.

**Sample order:**

nIm 23350-01-2028

**Note:**

Particularly compact self-centring keyless locking coupling with no axial offset.

- for shaft diameters 20 - 60 mm
- for medium torques
- suitable for thin walled hubs
- no axial offset
- self-centring

**Assembly:**

Lightly oil keyless locking coupling on the tapered faces and contact points of the shaft and hub. Do not use MoS2 or grease. Insert keyless locking coupling in the hub seat and slide onto shaft. Tighten screws crosswise in several increments to the defined tightening torque.

Dismantling: Remove all screws and screw into the extraction threads of the front flange. Tighten screws crosswise in several steps until the keyless locking coupling loosens.

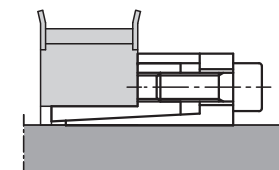
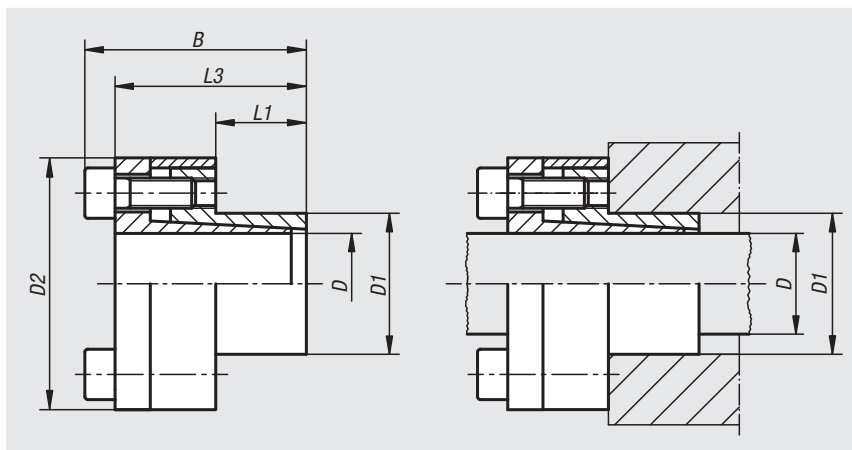
**Tolerances:**

Shaft:

Recommended tolerance h8.  
Surface quality  $R_z \leq 16 \mu\text{m}$ .

Hub:

Recommended tolerance H8.  
Surface quality  $R_z \leq 16 \mu\text{m}$ .



Order No.	D	D1	D2	B	L1	L3	Max. torque M Nm with tightening torque MS	Max. axial force F kN with tightening torque MS	Surface pressure on shaft P N/mm <sup>2</sup>	Surface pressure on hub P N/mm <sup>2</sup>	No. of screws	Tightening torque MS Nm
23350-01-2028	20	28	50	45	18	39	97	10	71	51	4 x M6	8
23350-01-2534	25	34	56	52	25	46	180	15	62	45	5 x M6	8
23350-01-3041	30	41	62	52	25	46	220	15	51	38	6 x M6	8
23350-01-3547	35	47	68	59	32	53	340	19	46	34	8 x M6	8
23350-01-4053	40	53	75	59	32	53	390	19	40	30	8 x M6	8
23350-01-4559	45	59	86	78	45	70	820	36	48	36	8 x M8	18
23350-01-5065	50	65	92	78	45	70	910	36	43	33	8 x M8	18
23350-01-5571	55	71	98	89	55	81	1100	41	36	28	9 x M8	18
23350-01-6077	60	77	104	89	55	81	1200	41	33	26	9 x M8	18