

Oldham-type couplings

clamping with grub screw

miniature



Material:

Centre disc polyacetal.
Hub aluminium.

Sample order:

nIm 23032-0016,
D1 = 4
D2 = 4
(The hubs are supplied pre-bored).

Note:

Clamping the hub with a grub screw is a cost-effective alternative to the Oldham-type couplings with radial clamping hub (23030). Short mounting times. The couplings can be mounted completely assembled or a plug-in assembly is also possible. Take note of the tightening torque for the grub screw. To ease removal we recommend milling a flat on the shaft.

Assembly:

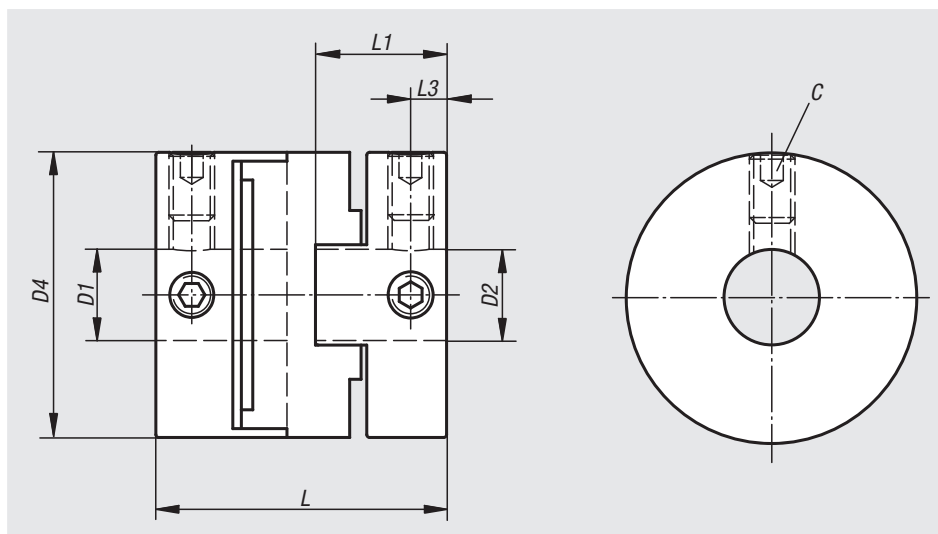
The shaft to hub hole fit is a transition fit. The play should be min. 0.01 mm and max. 0.04 mm i.e.
shaft: \emptyset 6 f7
hub: \emptyset 6 H8.

Advantages:

- robust
- plug-in
- play-free
- short design

On request:

Hub bores D1 and D2 with separate tolerance class or range.



Order No.	Size	Nominal torque Nm	Moment of inertia (10^{-3} kgm ²)	Static resistance to torsion Nm/arcmin	Max. angular shaft displacement	Max. lateral shaft displacement	Max. rpm	Tightening torque of screws Nm
23032-0016	16	1	0,0024	0,019	2°	1	8000	1
23032-0020	20	1,5	0,081	0,035	2°	1,5	7000	1,7
23032-0025	25	2,5	0,018	0,058	2°	2	6000	1,7
23032-0032	32	7	0,067	0,18	2°	2,5	4800	4

Order No.	D1/D2 predrilled	D1/D2 min.	D1/D2 max.	D4	L	L1	L3	C (DIN 916)
23032-0016	4	4	6,35	16	18	8	2,3	M3
23032-0020	4	4	8	20	20	9	2,5	M4
23032-0025	5	5	10	25	25,5	11,5	3	M4
23032-0032	8	8	14	32	32	14,5	4	M5