

Elastomer dog couplings

with radial clamping hub



Material:

Spider polyurethane hardness Shore 98A.
Hub aluminium.

Version:

Bright.

Sample order:

nlm 23022-008,

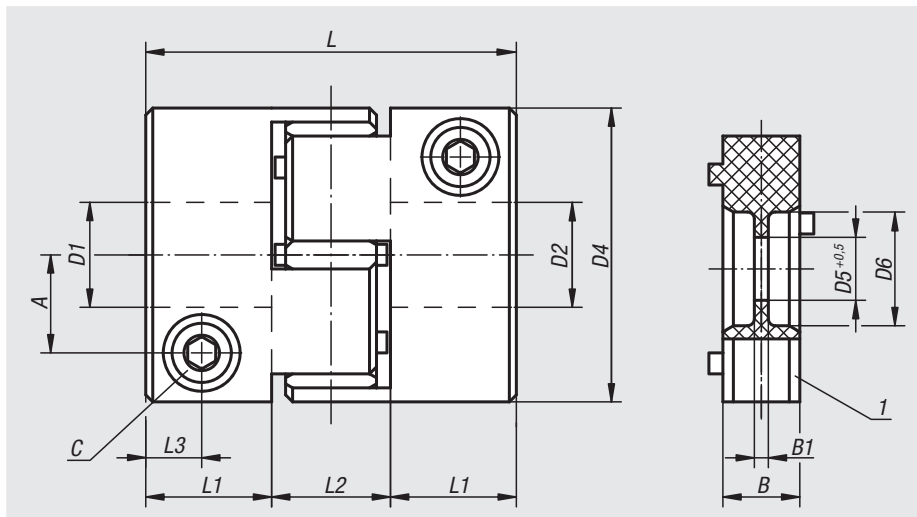
D1 = 6

D2 = 6

(The hubs are supplied pre-bored).

Note:

Radial clamping of the hub for short mounting times.
The couplings can be mounted completely assembled or a plug-in assembly is also possible. Lightly oil the spider to ease assembly. Take note of the require tightening torque for the clamping screw.



Assembly:

The shaft to hub bore fit is a transition fit. The play should be min. 0.01 mm and max. 0.04 mm i.e.

shaft: $\varnothing 28$ k6

hub: $\varnothing 28$ F6

Bores smaller than D1/D2 min. are possible, however an optimal transfer of the couplings nominal torque is no longer guaranteed.

On request:

Hub bores D1 and D2 with separate tolerance class or range.

Drawing reference:

1) elastomer spider

Order No.	Size	Nominal torque Nm	Moment of inertia (10^{-3} kgm ²)	Static resistance to torsion Nm/arcmin	Max. axial shaft displacement \pm	Max. lateral shaft displacement	Radial spring stiffness N/mm	Tightening torque of screws Nm
23022-002	2	2	0,00016	0,007	0,6	0,1	405	0,5
23022-005	5	5	0,0011	0,016	0,8	0,1	510	1
23022-008	8	8	0,01	0,04	0,5	0,1	600	4
23022-015	15	15	0,03	0,24	0,5	0,1	2100	8
23022-030	30	30	0,09	0,41	0,5	0,1	2500	14
23022-060	60	60	0,18	0,61	0,5	0,1	2600	35
23022-150	150	150	0,38	1,05	1	0,1	3300	67
23022-300	300	300	1	2	1	0,12	4500	115
23022-500	500	500	2,2	5,8	1	0,15	5900	115
23022-700	700	700	5,2	8	1	0,15	7000	185

Order No.	D1/D2 predrilled	D1/D2 min.	D1/D2 max.	D4	D5	D6	A	L	L1	L2	L3	B	B1	C DIN 912-10.9
23022-002	3	3	5	14	-	-	4	22	7	8	3,5	6	-	M2
23022-005	5	5	8	20	-	-	6,5	30	10	10	5	8	-	M2,5
23022-008	6	8	15	32	8,5	10,5	10,5	40	13,5	13	6	10	2	M4
23022-015	7	10	20	40	9,5	18	13,5	50	17	16	8	12	3	M5
23022-030	9	13	26	50	12,5	27	16,5	58	20	18	9	14	3	M6
23022-060	12	15	29	60	12,5	27	19,5	62	22	18	10	14	3	M8
23022-150	15	22	33	70	14,5	30	23	73	26,5	20	12	15	4	M10
23022-300	18	30	42	85	16,5	38	29	86	31	24	14	18	4	M12
23022-500	20	38	56	100	20,5	47	36	94	33	28	16	22	5	M12
23022-700	24	40	70	120	22,5	58	44	109	38	33	18	25	6	M14