

Bevel gears

plastic housing



Material:

Housing fibreglass reinforced plastic.
Bevel gears steel.

Version:

Bevel gears case hardened.
Ball bearings with sealing washers.

Sample order:

nIm 22710-111000

Note:

Universally applicable and maintenance-free bevel gear transmission for redirecting rotational movements by 90°. The rotation direction is arbitrary.

These bevel gears are suitable for manual drives and for temporary mechanical drives at a low speed.

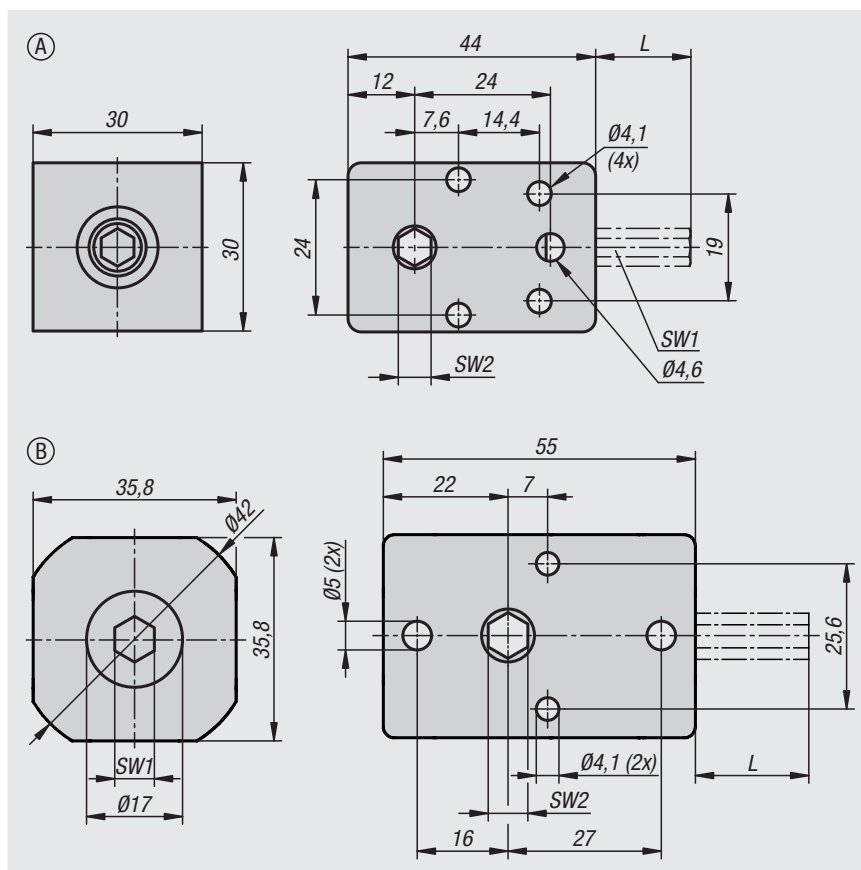
Power input over a hexagon socket. Power output over a hexagon socket or an hexagonal drive shaft.

Temperature range:

0 °C to +40 °C.

Technical data:

Duty cycle: 20% (at 5 min.)



Order No.	Form	Main colour	Transmission ratio	Max. rpm	Max. driving torque M Nm	SW1	SW2	L
22710-111000	A	blue	1:1	150	4	6	6	-
22710-111050	A	blue	1:1	150	4	6	6	50
22710-111080	A	blue	1:1	150	4	6	6	80
22710-111100	A	blue	1:1	150	4	6	6	100
22710-211000	B	red	1:1	150	5,5	7	7	-
22710-211050	B	red	1:1	150	5,5	7	7	50
22710-211080	B	red	1:1	150	5,5	7	7	80
22710-211100	B	red	1:1	150	5,5	7	7	100
22710-221000	B	green	2:1	150	5,5	7	7	-