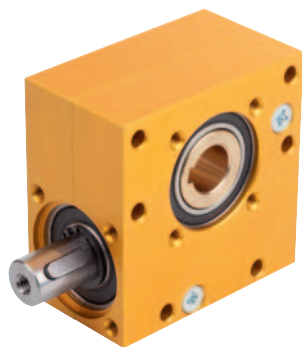


## Worm drives



### Material:

Housing aluminium.  
Worm screw steel, worm wheel special brass.

### Version:

Housing anodised.  
Ball bearing with rubber sealing washer RS.

### Sample order:

n1m 22700-13

### Note:

Universally applicable and maintenance-free worm drive in one size with a centre distance of 20 mm and 7 different ratios. The housing is sealed to prevent grease leakage and keep dust out. These are left hand worm gears. The rotation direction on the shaft is arbitrary.

- smooth power transmission
- simple screw fastening
- quiet

### Temperature range:

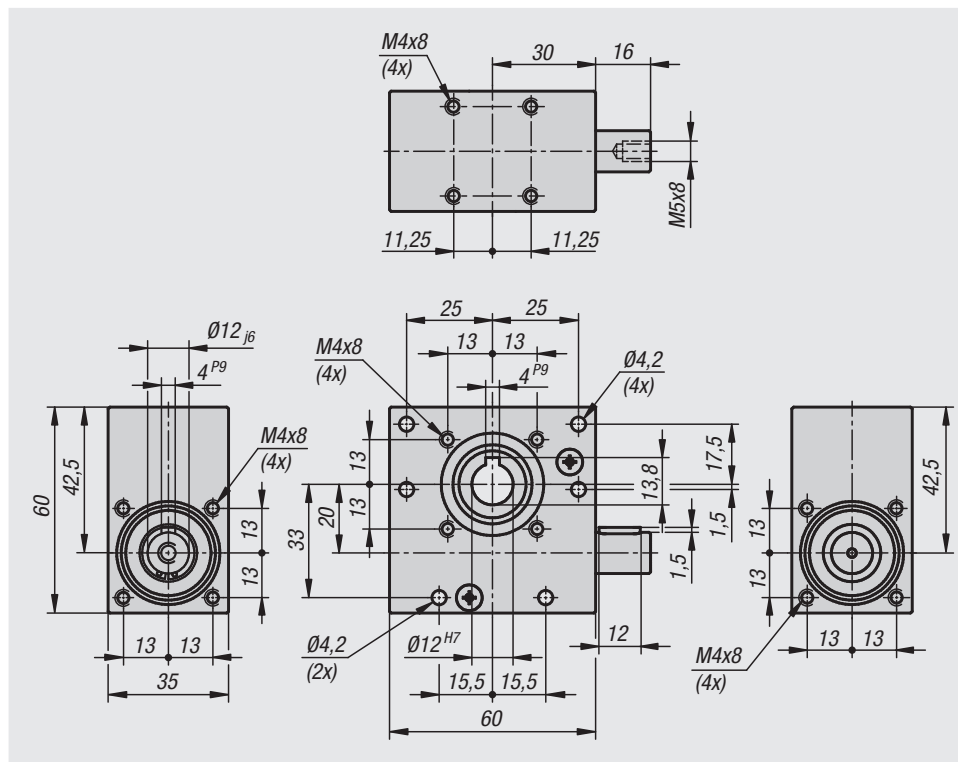
-20 °C to +60 °C.

### Attention:

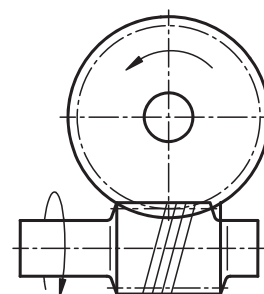
FR permissible radial force at  $F_A=0$   
FA permissible axial force at  $FR=0$

### Technical data:

Radial backlash:  $\pm 1^\circ$   
Duty cycle: 20% (at 5 min.)  
Service life: ca. 1000 hours (at full load, speed 500 rpm and duty cycle 20%)



## Worm drives



Order No.	Transmission ratio	Self-locking	speed range n rpm	Max. driving torque M Nm
22700-13	13:1	not self-locking	100 / 500 / 1000	2,1 / 1,8 / 1,5
22700-15	15:1	not self-locking	100 / 500 / 1000	1,5 / 1,3 / 1,0
22700-18	18:1	self-locking	100 / 500 / 1000	1,1 / 0,9 / 0,7
22700-23	23:1	self-locking	100 / 500 / 1000	0,9 / 0,7 / 0,5
22700-30	30:1	self-locking	100 / 500 / 1000	0,6 / 0,5 / 0,4
22700-40	40:1	self-locking	100 / 500 / 1000	0,4 / 0,3 / 0,3
22700-65	65:1	self-locking	100 / 500 / 1000	0,2 / 0,2 / 0,2

Order No.	Max. output torque M Nm	Shaft load FR N	Shaft load FA N	Efficiency %
22700-13	15 / 13 / 11	200	200	56
22700-15	12 / 10 / 8	250	250	52
22700-18	11 / 9 / 7	250	250	55
22700-23	10 / 8 / 6	250	250	50
22700-30	8,5 / 7 / 5,5	350	350	45
22700-40	5,5 / 4,8 / 4	400	400	39
22700-65	4,5 / 3,8 / 3	500	500	29