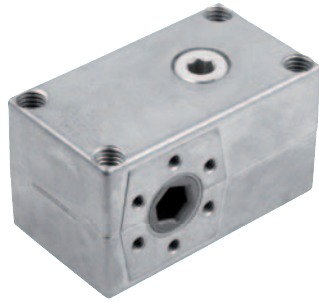


Worm drives



Material:

Housing die-cast zinc. Worm screw and worm wheel steel.

Version:

Housing bright.
Worm screw and worm wheel case hardened.

Sample order:

nIm 22700-10-2

Note:

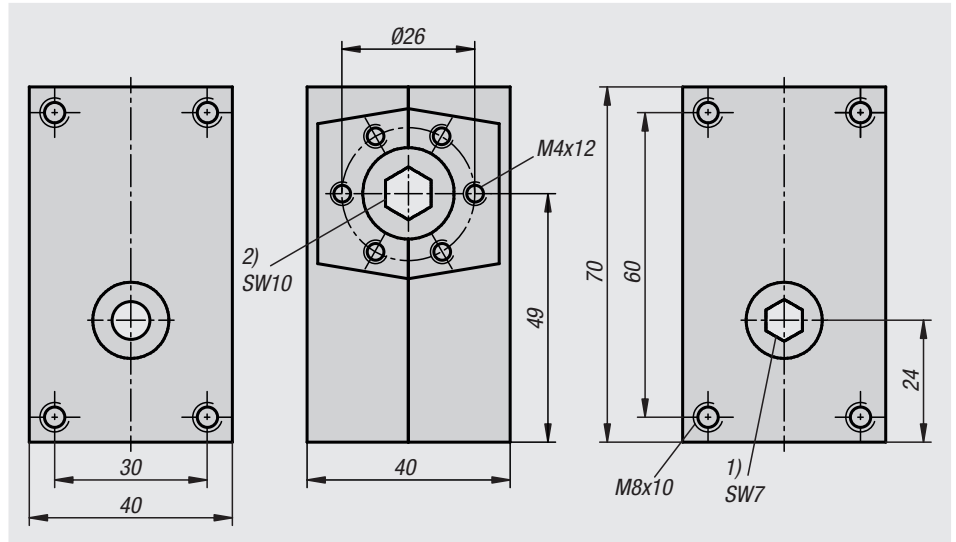
Compact, universally applicable and maintenance-free worm drive in one size with a centre distance of 25 mm and 4 different ratios. The rotation direction of the shaft is arbitrary. Compact design with maximum torque, ruggedness and smooth power transmission distinguish these gearboxes. A flexible screw mounting enables easy installation.

These worm gears are designed for manual operation.

Drive is provided by a 7 AF hexagon socket. Output via a 10 AF hexagon socket.

Drawing reference:

- 1) Drive
- 2) Output



Order No.	Transmission ratio	Self-locking	Max. output torque M Nm
22700-10-1	1:1	self-locking	2
22700-10-2	2:1	not self-locking	3
22700-10-20	20:1	self-locking	15
22700-10-30	30:1	self-locking	17