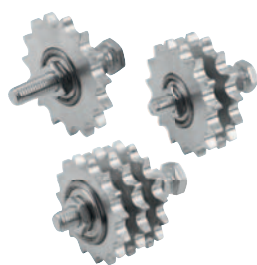


Sprocket sets

**Material:**

Sprocket steel.
Ball bearing chrome steel.
Screw and nut steel.

Version:

Sprocket teeth hardened to HRC 50, electro zinc-plated.
Ball bearing with sealing discs 2Z-C3.
Screw ISO 4017, grade 8.8, electro zinc-plated.
Nut ISO 4035, grade 8, electro zinc-plated.

Sample order:

nIm 22281-06110

Note:

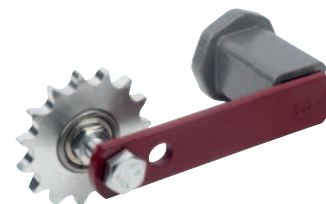
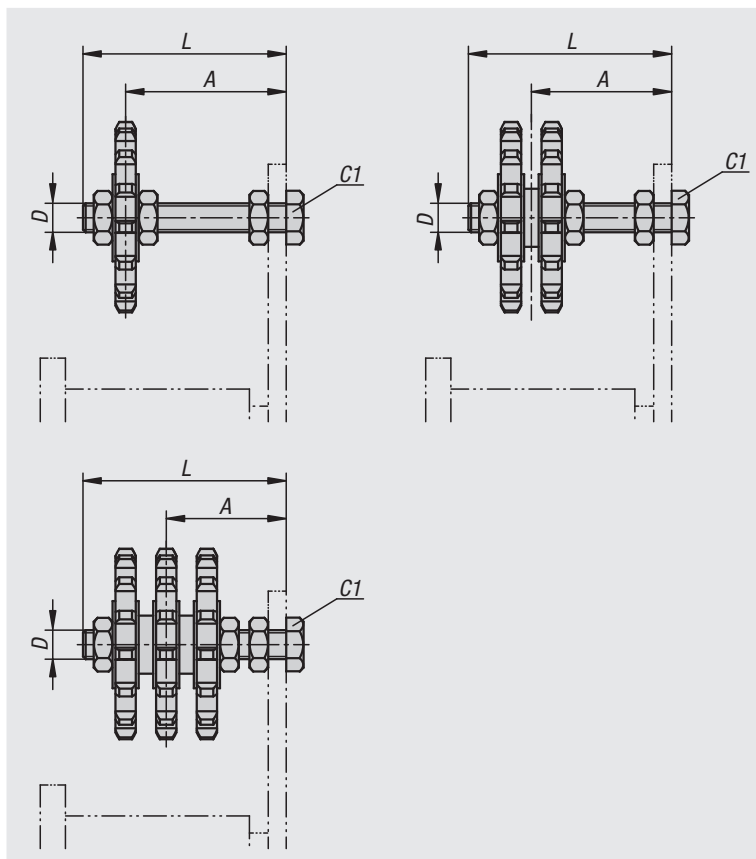
For tensioning roller chains. The sprocket set can be combined with all tensioning elements to form a ready-to-install chain clamp. The ball bearings are sealed both sides, permanently lubricated and maintenance-free.

The sprocket can be moved on the screw and thus adapted to the chain track. With the duplex and triplex version, precision spacer sleeves ensure correct chain guidance.

Rigid mounting without a tensioning element is also possible. Can also be used as an idler sprocket.

Temperature range:

-40 °C to +120 °C.



Order No.	Version 1	ISO No.	Pitch inch	Pitch mm	No. of teeth	A	D	L	Tightening torque of screw C1 Nm	Suitable for clamping element size
22281-06110	single	06 B-1	3/8 x 7/32	9,525 x 5,72	15	21 - 50	M10	60	20	2+3
22281-08110	single	08 B-1	1/2 x 5/16	12,7 x 7,75	15	21 - 50	M10	60	20	3
22281-10112	single	10 B-1	5/8 x 3/8	15,875 x 9,65	15	27 - 67	M12	80	35	4
22281-12112	single	12 B-1	3/4 x 7/16	19,05 x 11,68	15	27 - 67	M12	80	35	4
22281-12120	single	12 B-1	3/4 x 7/16	19,05 x 11,68	15	38 - 101	M20	120	160	5
22281-16120	single	16 B-1	1 x 17,02mm	25,4 x 17,02	13	38 - 101	M20	120	160	5
22281-06210	duplex	06 B-2	3/8 x 7/32	9,525 x 5,72	15	26 - 44	M10	60	20	2+3
22281-08210	duplex	08 B-2	1/2 x 5/16	12,7 x 7,75	15	28 - 42	M10	60	20	3
22281-10212	duplex	10 B-2	5/8 x 3/8	15,875 x 9,65	15	35 - 59	M12	80	35	4
22281-12212	duplex	12 B-2	3/4 x 7/16	19,05 x 11,68	15	37 - 57	M12	80	35	4
22281-12220	duplex	12 B-2	3/4 x 7/16	19,05 x 11,68	15	38 - 101	M20	120	160	5
22281-16220	duplex	16 B-2	1 x 17,02mm	25,4 x 17,02	13	48 - 92	M20	120	160	5
22281-06310	triplex	06 B-3	3/8 x 7/32	9,525 x 5,72	15	32 - 39	M10	60	20	3
22281-08312	triplex	08 B-3	1/2 x 5/16	12,7 x 7,75	15	41 - 53	M12	80	35	4
22281-10312	triplex	10 B-3	5/8 x 3/8	15,875 x 9,65	15	43 - 51	M12	80	35	4
22281-10320	triplex	10 B-3	5/8 x 3/8	15,875 x 9,65	15	55 - 85	M20	120	160	5
22281-12320	triplex	12 B-3	3/4 x 7/16	19,05 x 11,68	15	58 - 82	M20	120	160	5