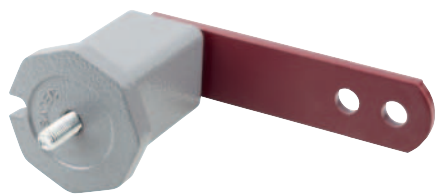


Clamping elements with front fastening



Material:

Housing sintered steel, from size 5 EN-GJS-400-15.
 Clamping arm S235JR steel.
 Buffer natural rubber.
 Screw steel.

Version:

Steel parts painted.
 Screw ISO 4762, grade 8.8, electro zinc-plated.

Sample order:

n1m 22281-16-2

Note:

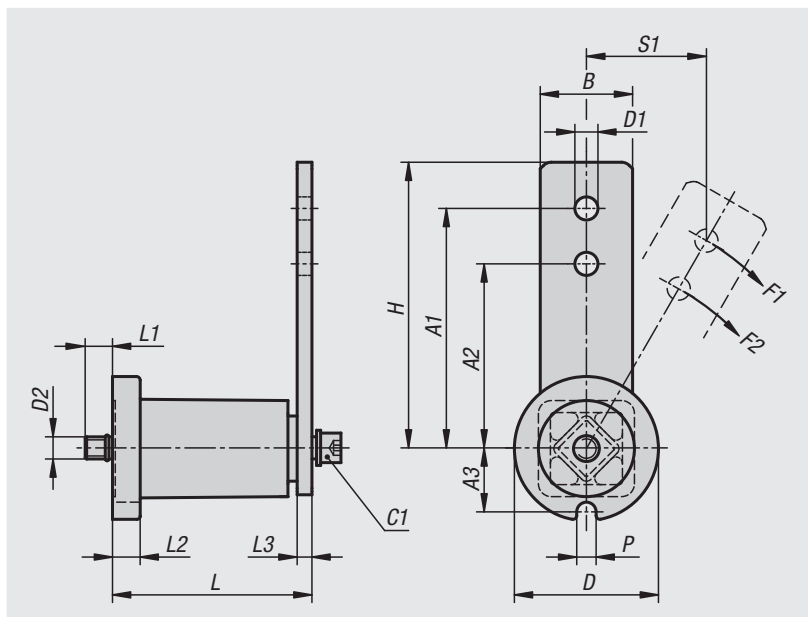
Clamping element with integrated highly elastic, shape-retaining natural rubber buffer.

Together with a chain tensioner set, sprocket set or a tension pulley, the clamping element makes a ready-to-install tensioning unit suitable for tensioning chain and belt drives. Suitable for both tensioning directions. The clamping elements are maintenance-free and tear-off resistant.

The clamping element is fastened to the machine component with a screw. If necessary, a heavy-duty dowel pin can be inserted in the positioning notch "P" for torque support.

Temperature range:

-55 °C to +85 °C.



Order No.	Size	A1	A2	A3	B	D	D1	D2	H	L	L1	L2	L3	P	S1	Tightening torque of screw C1 Nm	F1 N	F2 N
22281-16-2	2	100	80	19,5	25	48	10,5	M6	115	63+1-0,5	13	8	5	8,5	53	10	140	170
22281-16-3	3	100	80	24,5	30	60	10,5	M8	115	78+1,5-0,5	17	10	6	8,5	53	25	320	430
22281-16-4	4	130	100	34	50	78	12,5	M10	155	108+2-0,5	17	14	8	10,5	69	49	820	1050
22281-16-5	5	175	140	42	60	100	20,5	M12	205	145+2-0,5	10	15	10	12,5	93	145	1500	1880

20000
21000
22000
23000
24000
26000
27000
28000
29000
31000
32000
33000