

## Chain tensioner sets



**Material:**

Tensioner Vesconite® plastic.  
Screw and nut steel.

**Version:**

Screw ISO 4017, grade 8.8, electro zinc-plated.  
Nut ISO 4035, grade 8, electro zinc-plated.

**Sample order:**

nlm 22281-01-06108

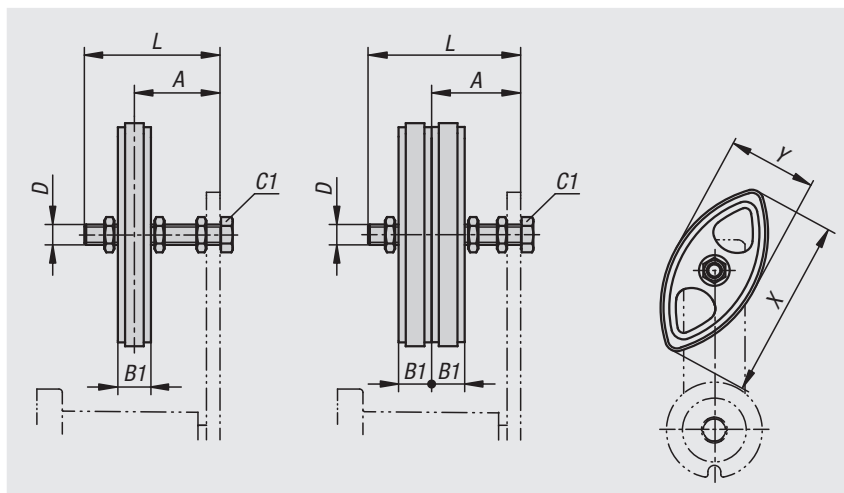
**Note:**

For tensioning roller chains. The chain tensioner set can be combined with all tensioning elements to form a ready-to-install chain clamp. The symmetrical design enables use on both sides. Large radii ensure very quiet running. The high-quality plastic does not require any lubrication.

The maximum chain speed should not exceed 1.5 m/s in continuous use.

**Temperature range:**

-40 °C to +120 °C.



Order No.	Version 1	ISO No.	A	B1	D	L	X	Y	Tightening torque of screw C1 Nm	Suitable for clamping element size
22281-01-06108	single	06 B-1	21-34	10,2	M8	45	74	40	10	1
22281-01-08110	single	08 B-1	23-47	13,9	M10	60	96	50	20	2+3
22281-01-10110	single	10 B-1	25-48	16,5	M10	60	125	55	20	3
22281-01-12112	single	12 B-1	29-64	19,5	M12	80	147	80	35	4
22281-01-06208	duplex	06 B-2	26-29	10,2	M8	45	74	40	10	1
22281-01-08210	duplex	08 B-2	30-40	13,9	M10	60	96	50	20	2+3
22281-01-10210	duplex	10 B-2	34-47	16,5	M10	60	125	55	20	3
22281-01-12212	duplex	12 B-2	39-54	19,5	M12	80	147	80	35	4