

Idler sprockets with ball bearing


Material:

Sprocket steel C45.

Ball bearing made from ball-bearing steel.

Version:

Sprocket black oxidised.

Sample order:

nIm 22280-038073221

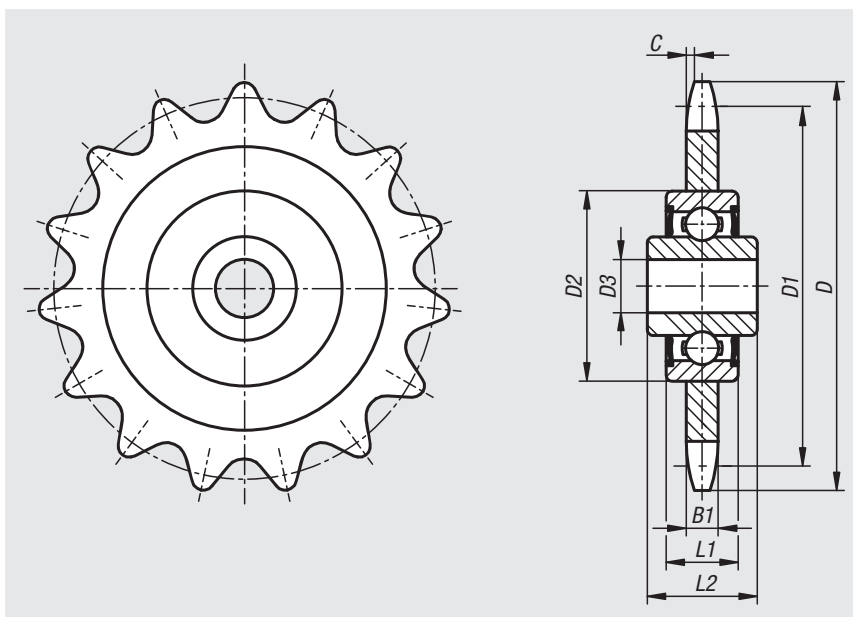
Note:

Ready-to-install idler sprockets complete with ball bearing.

For DIN ISO 606 roller chains. The ball bearings are sealed both sides, permanently lubricated and therefore maintenance-free.

Temperature range:

-20°C to +120°C.



Order No.	ISO No.	Pitch inch	Pitch mm	No. of teeth	D	D1	D2	D3	B1	L1	L2	C
22280-038073221	06 B-1	3/8 x 7/32	9,525 x 5,72	21	67,6	63,91	40	16	5,3	12	18,3	1
22280-038073222	06 B-1	3/8 x 7/32	9,525 x 5,72	22	70,6	66,93	40	16	5,3	12	18,3	1
22280-012051614	08 B-1	1/2 x 5/16	12,7 x 7,75	14	61,9	57,07	40	16	7,2	12	18,3	1,3
22280-012051616	08 B-1	1/2 x 5/16	12,7 x 7,75	16	69,9	65,1	40	16	7,2	12	18,3	1,3
22280-012051618	08 B-1	1/2 x 5/16	12,7 x 7,75	18	78	73,14	40	16	7,2	12	18,3	1,3
22280-058030814	10 B-1	5/8 x 3/8	15,875 x 9,65	14	78,2	71,34	40	16	9,1	12	18,3	1,6
22280-058030815	10 B-1	5/8 x 3/8	15,875 x 9,65	15	83,2	76,36	40	16	9,1	12	18,3	1,6
22280-058030817	10 B-1	5/8 x 3/8	15,875 x 9,65	17	93,3	86,39	40	16	9,1	12	18,3	1,6
22280-034071613	12 B-1	3/4 x 7/16	19,05 x 11,68	13	87,8	79,59	40	16	11,1	12	18,3	2
22280-034071615	12 B-1	3/4 x 7/16	19,05 x 11,68	15	99,8	91,63	40	16	11,1	12	18,3	2
22280-100170212	16 B-1	1 x 17,02mm	25,4 x 17,02	12	109,7	98,14	47	20	16,2	14	17,7	2,5

Mounting screws

for idler sprockets



Material:

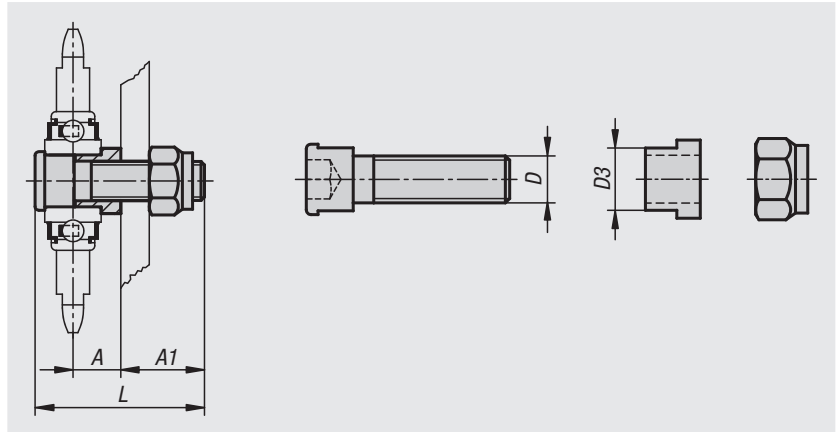
Steel C45.

Version:

Electro zinc-plated.

Sample order:

nln 22280-1216



Order No.	A	A1	D	D3	L	Suitable for
22280-1216	15	25	M12	16	52	idler sprocket to ISO 12 B-1
22280-1620	25	28	M16	20	66	idler sprocket from ISO 16 B-1