

Sprockets triplex 3/8" x 7/32"

DIN ISO 606

**Material:**

Low-carbon steel.

Version:

Bright, not hardened (cannot be hardened).

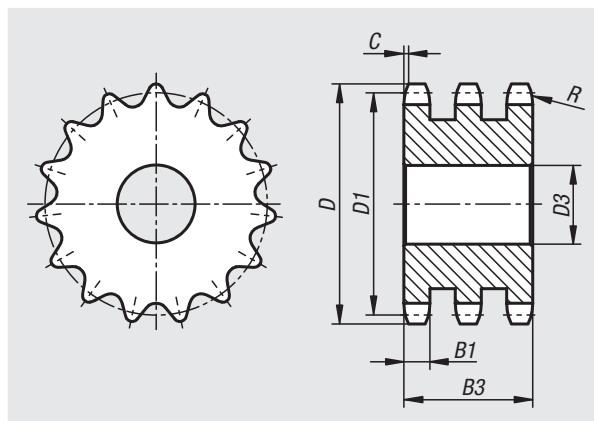
Sample order:

nlm 22266-30380732008

Note:

Sprockets for DIN ISO 606 roller chains.

The disc sprockets have a centre bore or are pre-drilled (this can vary due to production methods). For this reason, the dimension D3 max. given in the table is the maximum diameter of the bore that the disc sprockets are supplied with. This pilot hole/centre bore can be customised with a reamed hole, reamed hole with keyway or a tapped hole by the customer. Alternatively, bushes can be fitted by the customer to reduce the diameter.



Order No.	ISO No.	Pitch inch	Pitch mm	R	C	B1	B3
22266	06 B-3	3/8 x 7/32	9,525 x 5,72	10	1	5,2	25,6

Order No.	No. of teeth	D	D1	D3 max.
22266-30380732008	8	28,6	24,89	8
22266-30380732009	9	31,5	27,85	8
22266-30380732010	10	34,5	30,82	10
22266-30380732011	11	37,5	33,8	12
22266-30380732012	12	40,5	36,8	12
22266-30380732013	13	43,5	39,8	12
22266-30380732014	14	46,5	42,8	12
22266-30380732015	15	49,5	45,81	12
22266-30380732016	16	52,5	48,82	12
22266-30380732017	17	55,5	51,83	12
22266-30380732018	18	58,6	54,85	12
22266-30380732019	19	61,6	57,87	12
22266-30380732020	20	64,6	60,89	12
22266-30380732021	21	67,6	63,91	16
22266-30380732022	22	70,6	66,93	16
22266-30380732023	23	73,7	69,95	16
22266-30380732024	24	76,7	72,97	16
22266-30380732025	25	79,7	76	16
22266-30380732026	26	82,7	79,02	16
22266-30380732027	27	85,7	82,04	16
22266-30380732028	28	88,8	85,07	16
22266-30380732029	29	91,8	88,09	16
22266-30380732030	30	94,8	91,12	16
22266-30380732031	31	97,9	94,15	16
22266-30380732032	32	100,9	97,17	16
22266-30380732034	34	106,9	103,23	16

Order No.	No. of teeth	D	D1	D3 max.
22266-30380732035	35	110	106,26	16
22266-30380732036	36	113	109,29	20
22266-30380732038	38	119	115,34	20
22266-30380732040	40	125,1	121,4	20
22266-30380732042	42	132,1	127,46	20
22266-30380732044	44	138,1	133,52	20
22266-30380732045	45	141,1	136,54	20
22266-30380732048	48	150,2	145,64	20
22266-30380732050	50	156,3	151,69	20
22266-30380732057	57	177,5	172,91	25
22266-30380732058	58	180,5	175,93	25
22266-30380732060	60	186,6	181,99	25
22266-30380732064	64	198,7	194,12	25
22266-30380732065	65	201,8	197,15	25
22266-30380732066	66	204,8	200,18	25
22266-30380732070	70	216,9	212,3	25
22266-30380732072	72	223	218,37	25
22266-30380732076	76	235,1	230,49	25
22266-30380732080	80	247,2	242,61	25
22266-30380732085	85	262,4	257,77	25
22266-30380732090	90	277,5	272,93	25
22266-30380732095	95	292,7	288,08	25
22266-30380732100	100	307,8	303,25	25
22266-30380732114	114	350,3	345,68	25
22266-30380732125	125	383,6	379,02	25

Sprockets triplex 1/2" x 5/16"

DIN ISO 606

**Material:**

Low-carbon steel.

Version:

Bright, not hardened (cannot be hardened).

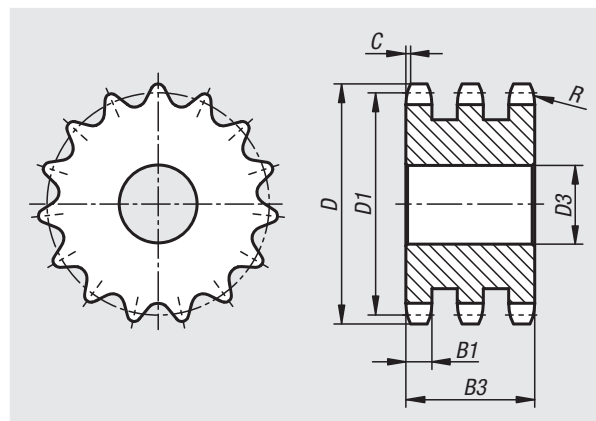
Sample order:

nlm 22266-30120516008

Note:

Sprockets for DIN ISO 606 roller chains.

The disc sprockets have a centre bore or are pre-drilled (this can vary due to production methods). For this reason, the dimension D3 max. given in the table is the maximum diameter of the bore that the disc sprockets are supplied with. This pilot hole/centre bore can be customised with a reamed hole, reamed hole with keyway or a tapped hole by the customer. Alternatively, bushes can be fitted by the customer to reduce the diameter.



Order No.	ISO No.	Pitch inch	Pitch mm	R	C	B1	B3
22266	08 B-3	1/2 x 5/16	12,7 x 7,75	13	1,3	7	34,9

Order No.	No. of teeth	D	D1	D3 max.
22266-30120516008	8	38	33,18	10
22266-30120516009	9	42	37,13	10
22266-30120516010	10	45,9	41,1	10
22266-30120516011	11	49,9	45,07	12
22266-30120516012	12	53,9	49,07	12
22266-30120516013	13	57,9	53,06	12
22266-30120516014	14	61,9	57,07	12
22266-30120516015	15	65,9	61,09	12
22266-30120516016	16	69,9	65,1	16
22266-30120516017	17	74	69,11	16
22266-30120516018	18	78	73,14	16
22266-30120516019	19	82	77,16	16
22266-30120516020	20	86	81,19	16
22266-30120516021	21	90,1	85,22	16
22266-30120516022	22	94,1	89,24	16
22266-30120516023	23	98,1	93,27	16
22266-30120516024	24	102,1	97,29	16
22266-30120516025	25	106,2	101,33	16
22266-30120516026	26	110,2	105,36	16
22266-30120516027	27	114,2	109,4	16

Order No.	No. of teeth	D	D1	D3 max.
22266-30120516028	28	118,3	113,42	16
22266-30120516029	29	122,3	117,46	16
22266-30120516030	30	126,3	121,5	16
22266-30120516032	32	134,4	129,56	20
22266-30120516033	33	138,4	133,6	20
22266-30120516034	34	142,5	137,64	20
22266-30120516035	35	146,5	141,68	20
22266-30120516036	36	150,6	145,72	20
22266-30120516038	38	158,6	153,8	20
22266-30120516040	40	166,7	161,87	20
22266-30120516042	42	176,5	169,95	25
22266-30120516043	43	180,5	173,99	25
22266-30120516044	44	184,6	178,03	25
22266-30120516045	45	188,6	182,07	25
22266-30120516046	46	192,6	186,1	25
22266-30120516047	47	196,7	190,14	25
22266-30120516048	48	200,7	194,18	25
22266-30120516050	50	208,8	202,26	25
22266-30120516052	52	216,9	210,34	25
22266-30120516054	54	225	218,43	25

Sprockets triplex 1/2" x 5/16"

DIN ISO 606

Order No.	No. of teeth	D	D1	D3 max.
22266-30120516055	55	229	222,46	25
22266-30120516056	56	233	226,5	25
22266-30120516057	57	237,1	230,54	25
22266-30120516060	60	249,2	242,66	25
22266-30120516062	62	257,3	250,75	25
22266-30120516065	65	269,4	262,86	25
22266-30120516068	68	281,5	274,99	25
22266-30120516070	70	289,6	283,07	25
22266-30120516072	72	297,7	291,16	25
22266-30120516075	75	309,8	303,27	25
22266-30120516076	76	313,9	307,33	25
22266-30120516080	80	330	323,48	25
22266-30120516085	85	350,2	343,69	25
22266-30120516090	90	370,4	363,9	25
22266-30120516095	95	390,7	384,11	25
22266-30120516100	100	410,9	404,31	25
22266-30120516114	114	467,4	460,9	25
22266-30120516125	125	511	505,37	25

Sprockets triplex 5/8" x 3/8"

DIN ISO 606

**Material:**

Low-carbon steel.

Version:

Bright, not hardened (cannot be hardened).

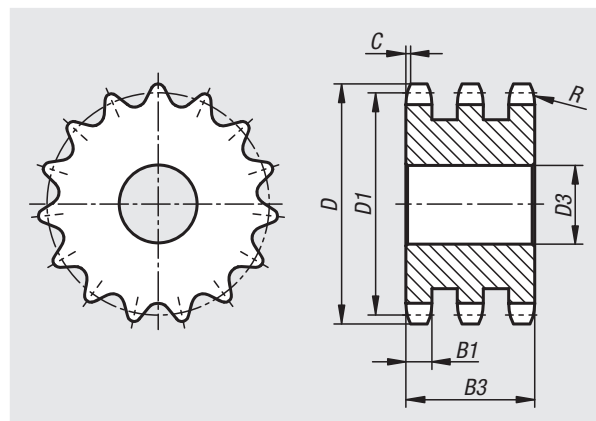
Sample order:

nlm 22266-30580308008

Note:

Sprockets for DIN ISO 606 roller chains.

The disc sprockets have a centre bore or are pre-drilled (this can vary due to production methods). For this reason, the dimension D3 max. given in the table is the maximum diameter of the bore that the disc sprockets are supplied with. This pilot hole/centre bore can be customised with a reamed hole, reamed hole with keyway or a tapped hole by the customer. Alternatively, bushes can be fitted by the customer to reduce the diameter.



Order No.	ISO No.	Pitch inch	Pitch mm	R	C	B1	B3
22266	10 B-3	5/8 x 3/8	15,875 x 9,65	16	1,6	9	42,1

Order No.	No. of teeth	D	D1	D3 max.
22266-30580308008	8	48,4	41,48	12
22266-30580308009	9	53,3	46,42	12
22266-30580308010	10	58,3	51,37	12
22266-30580308011	11	63,2	56,34	12
22266-30580308012	12	68,2	61,34	12
22266-30580308013	13	73,2	66,32	12
22266-30580308014	14	78,2	71,34	12
22266-30580308015	15	83,2	76,36	12
22266-30580308016	16	88,3	81,37	16
22266-30580308017	17	93,3	86,39	16
22266-30580308018	18	98,3	91,42	16
22266-30580308019	19	103,3	96,45	16
22266-30580308020	20	108,4	101,49	16
22266-30580308021	21	113,4	106,52	16
22266-30580308022	22	118,4	111,55	16
22266-30580308023	23	123,5	116,58	16
22266-30580308024	24	128,5	121,62	16
22266-30580308025	25	133,6	126,66	16
22266-30580308026	26	138,6	131,7	20
22266-30580308027	27	143,6	136,75	20

Order No.	No. of teeth	D	D1	D3 max.
22266-30580308028	28	148,7	141,78	20
22266-30580308029	29	153,7	146,83	20
22266-30580308030	30	158,8	151,87	20
22266-30580308032	32	168,9	161,95	20
22266-30580308033	33	173,9	167	20
22266-30580308034	34	178,9	172,05	20
22266-30580308035	35	184	177,1	20
22266-30580308036	36	189	182,15	25
22266-30580308037	37	194,1	187,2	25
22266-30580308038	38	199,1	192,24	25
22266-30580308039	39	204,2	197,29	25
22266-30580308040	40	209,2	202,34	25
22266-30580308041	41	215,8	207,39	25
22266-30580308042	42	220,8	212,44	25
22266-30580308044	44	230,9	222,53	25
22266-30580308045	45	236	227,58	25
22266-30580308046	46	241	236,63	25
22266-30580308048	48	251,1	242,73	25
22266-30580308050	50	261,2	252,82	25
22266-30580308052	52	271,3	262,92	25

Sprockets triplex 5/8" x 3/8"

DIN ISO 606

Order No.	No. of teeth	D	D1	D3 max.
22266-30580308055	55	286,5	278,08	25
22266-30580308057	57	296,6	288,18	25
22266-30580308060	60	311,7	303,32	25
22266-30580308064	64	331,9	323,53	30
22266-30580308065	65	337	328,58	30
22266-30580308070	70	362,2	353,84	30
22266-30580308075	75	387,5	379,09	30
22266-30580308076	76	392,5	384,16	30
22266-30580308080	80	412,7	404,35	30
22266-30580308090	90	463,3	454,88	30
22266-30580308095	95	488,5	480,14	30
22266-30580308114	114	584,5	576,13	30
22266-30580308125	125	640,1	631,71	30

Sprockets triplex 3/4" x 7/16"

DIN ISO 606

**Material:**

Low-carbon steel.

Version:

Bright, not hardened (cannot be hardened).

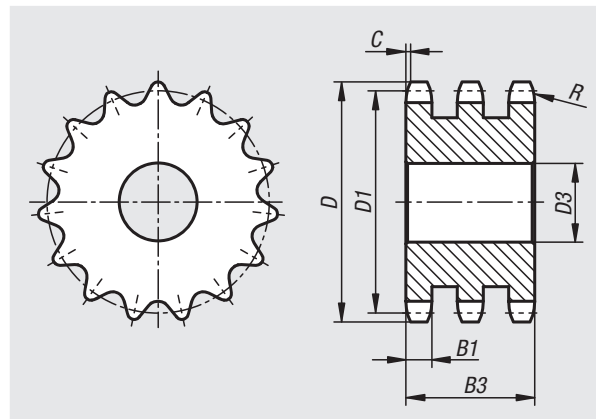
Sample order:

nlm 22266-30340716008

Note:

Sprockets for DIN ISO 606 roller chains.

The disc sprockets have a centre bore or are pre-drilled (this can vary due to production methods). For this reason, the dimension D3 max. given in the table is the maximum diameter of the bore that the disc sprockets are supplied with. This pilot hole/centre bore can be customised with a reamed hole, reamed hole with keyway or a tapped hole by the customer. Alternatively, bushes can be fitted by the customer to reduce the diameter.



Order No.	ISO No.	Pitch inch	Pitch mm	R	C	B1	B3
22266	12 B-3	3/4 x 7/16	19,05 x 11,68	19	2	10,8	49,8

Order No.	No. of teeth	D	D1	D3 max.
22266-30340716008	8	58	49,78	12
22266-30340716009	9	63,9	55,7	12
22266-30340716010	10	69,8	61,64	12
22266-30340716011	11	75,8	67,61	16
22266-30340716012	12	81,8	73,5	16
22266-30340716013	13	87,8	79,59	16
22266-30340716014	14	93,8	85,61	16
22266-30340716015	15	99,8	91,63	16
22266-30340716016	16	105,8	97,65	20
22266-30340716017	17	111,9	103,67	20
22266-30340716018	18	117,9	109,71	20
22266-30340716019	19	123,9	115,75	20
22266-30340716020	20	130	121,78	20
22266-30340716021	21	136	127,82	20
22266-30340716022	22	142	133,86	20
22266-30340716023	23	148,1	139,9	20
22266-30340716024	24	154,1	145,94	20
22266-30340716025	25	160,2	152	20
22266-30340716026	26	166,2	158,04	20
22266-30340716027	27	172,3	164,09	20

Order No.	No. of teeth	D	D1	D3 max.
22266-30340716028	28	178,3	170,13	20
22266-30340716029	29	184,4	176,19	20
22266-30340716030	30	190,4	182,25	20
22266-30340716031	31	196,5	188,31	25
22266-30340716032	32	202,5	194,35	25
22266-30340716033	33	208,6	200,4	25
22266-30340716034	34	214,6	206,46	25
22266-30340716035	35	220,7	212,52	25
22266-30340716036	36	226,8	218,58	25
22266-30340716037	37	232,8	224,64	25
22266-30340716038	38	238,9	230,69	25
22266-30340716039	39	244,9	236,75	25
22266-30340716040	40	251	242,81	25
22266-30340716042	42	265	254,93	25
22266-30340716043	43	271,1	260,98	25
22266-30340716044	44	277,1	267,03	25
22266-30340716045	45	283,2	273,1	25
22266-30340716047	47	295,3	285,21	25
22266-30340716048	48	301,4	291,27	25
22266-30340716050	50	313,5	303,39	25

Sprockets triplex 3/4" x 7/16"

DIN ISO 606

Order No.	No. of teeth	D	D1	D3 max.
22266-30340716052	52	325,6	315,5	25
22266-30340716054	54	337,7	327,64	25
22266-30340716055	55	343,8	333,7	25
22266-30340716057	57	355,9	345,81	30
22266-30340716060	60	374,1	363,99	30
22266-30340716065	65	404,4	394,29	30
22266-30340716070	70	434,7	424,61	30
22266-30340716072	72	446,8	436,74	30
22266-30340716076	76	471,1	460,99	30
22266-30340716080	80	495,3	485,22	30
22266-30340716085	85	525,6	515,55	30
22266-30340716090	90	555,9	545,86	30
22266-30340716095	95	586,2	576,17	30
22266-30340716100	100	616,6	606,47	30
22266-30340716114	114	701,4	691,36	30
22266-30340716120	120	737,8	727,74	30
22266-30340716125	125	768,1	758,05	30

Sprockets triplex 1" x 17,02 mm

DIN ISO 606

**Material:**

Low-carbon steel.

Version:

Bright, not hardened (cannot be hardened).

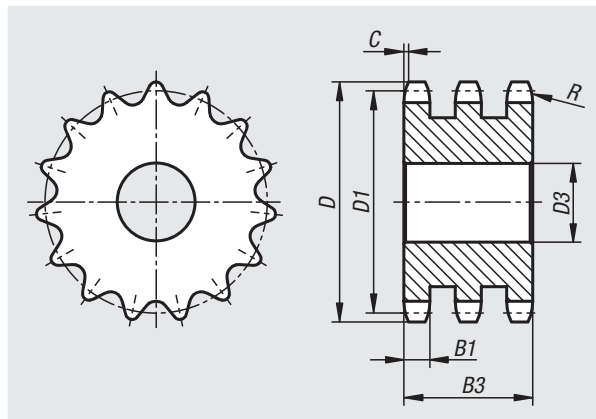
Sample order:

nlm 22266-31001702008

Note:

Sprockets for DIN ISO 606 roller chains.

The disc sprockets have a centre bore or are pre-drilled (this can vary due to production methods). For this reason, the dimension D3 max. given in the table is the maximum diameter of the bore that the disc sprockets are supplied with. This pilot hole/centre bore can be customised with a reamed hole, reamed hole with keyway or a tapped hole by the customer. Alternatively, bushes can be fitted by the customer to reduce the diameter.



Order No.	ISO No.	Pitch inch	Pitch mm	R	C	B1	B3
22266	16 B-3	1 x 17,02mm	25,4 x 17,02	26	2,5	15,8	79,6

Order No.	No. of teeth	D	D1	D3 max.
22266-31001702008	8	77,9	66,37	16
22266-31001702009	9	85,8	74,27	16
22266-31001702010	10	93,8	82,19	16
22266-31001702011	11	101,7	90,14	20
22266-31001702012	12	109,7	98,14	20
22266-31001702013	13	117,7	106,12	20
22266-31001702014	14	125,7	114,15	20
22266-31001702015	15	133,7	122,17	20
22266-31001702016	16	141,8	130,2	25
22266-31001702017	17	149,8	138,22	25
22266-31001702018	18	157,8	146,28	25
22266-31001702019	19	165,9	154,33	25
22266-31001702020	20	173,9	162,38	25
22266-31001702021	21	182	170,43	25
22266-31001702022	22	190,1	178,48	25
22266-31001702023	23	198,1	186,53	25
22266-31001702024	24	206,2	194,59	25
22266-31001702025	25	214,2	202,66	25
22266-31001702026	26	222,3	210,72	30
22266-31001702027	27	230,4	218,79	30

Order No.	No. of teeth	D	D1	D3 max.
22266-31001702028	28	238,4	226,85	30
22266-31001702029	29	246,5	234,92	30
22266-31001702030	30	254,6	243	30
22266-31001702031	31	262,6	251,08	30
22266-31001702032	32	270,7	259,13	30
22266-31001702033	33	278,8	267,21	30
22266-31001702034	34	286,9	275,28	30
22266-31001702035	35	294,9	283,36	30
22266-31001702036	36	303	291,44	30
22266-31001702038	38	319,2	307,59	30
22266-31001702040	40	335,3	323,73	30
22266-31001702042	42	353,7	339,9	30
22266-31001702044	44	369,8	356,06	30
22266-31001702045	45	377,9	364,12	30
22266-31001702046	46	386	372,21	30
22266-31001702048	48	402,1	388,36	30
22266-31001702050	50	418,3	404,52	30
22266-31001702052	52	434,5	420,67	40
22266-31001702055	55	458,7	444,93	40
22266-31001702057	57	474,9	461,07	40

Sprockets triplex 1" x 17,02 mm

DIN ISO 606

Order No.	No. of teeth	D	D1	D3 max.
22266-31001702060	60	499,1	485,32	40
22266-31001702065	65	539,5	525,73	40
22266-31001702070	70	579,9	566,14	40
22266-31001702072	72	596,1	582,32	40
22266-31001702076	76	628,4	614,65	40
22266-31001702080	80	660,7	646,96	40
22266-31001702085	85	701,2	687,4	40
22266-31001702090	90	741,6	727,81	40
22266-31001702095	95	782	768,22	40
22266-31001702114	114	935,6	921,82	40
22266-31001702125	125	1024,5	1010,73	40