

Sprockets duplex 8.0 mm x 3.0 mm

DIN ISO 606

**Material:**

Low-carbon steel.

Version:

Bright, not hardened (cannot be hardened).

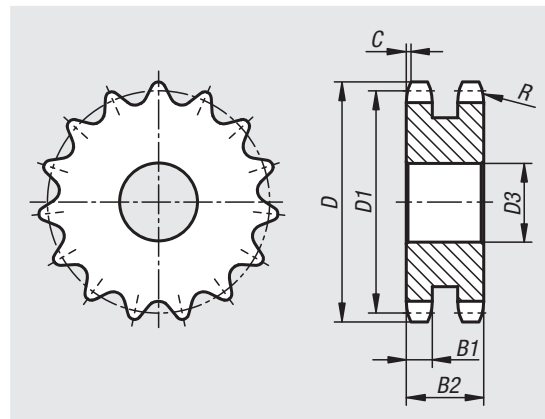
Sample order:

nlm 22265-20800030008

Note:

Sprockets for DIN ISO 606 roller chains.

The disc sprockets have a centre bore or are pre-drilled (this can vary due to production methods). For this reason, the dimension D3 max. given in the table is the maximum diameter of the bore that the disc sprockets are supplied with. This pilot hole/centre bore can be customised with a reamed hole, reamed hole with keyway or a tapped hole by the customer. Alternatively, bushes can be fitted by the customer to reduce the diameter.



Order No.	ISO No.	Pitch mm	R	C	B1	B2
22265	05 B-2	8,0 x 3,0	8	0,8	2,7	8,3

Order No.	No. of teeth	D	D1	D3 max.
22265-20800030008	8	23,4	20,9	8
22265-20800030009	9	25,9	23,39	8
22265-20800030010	10	28,4	25,89	8
22265-20800030011	11	31	28,39	8
22265-20800030012	12	33,7	30,91	8
22265-20800030013	13	36,7	33,42	8
22265-20800030014	14	39,2	35,95	8
22265-20800030015	15	41,7	38,48	8
22265-20800030016	16	44,2	41,01	10
22265-20800030017	17	46,7	43,53	10
22265-20800030018	18	49,2	46,07	10
22265-20800030019	19	51,7	48,61	10
22265-20800030021	21	57,2	53,67	10
22265-20800030022	22	59,4	56,21	10
22265-20800030023	23	62,2	58,75	10
22265-20800030024	24	64,7	61,29	10
22265-20800030025	25	67,2	63,83	10
22265-20800030026	26	69,7	66,37	12
22265-20800030028	28	74,7	71,45	12
22265-20800030030	30	80,2	76,53	12
22265-20800030032	32	85,2	81,61	12

Order No.	No. of teeth	D	D1	D3 max.
22265-20800030034	34	90,2	86,7	12
22265-20800030035	35	92,7	89,24	12
22265-20800030036	36	95,2	91,79	12
22265-20800030038	38	100,2	96,88	12
22265-20800030040	40	105,2	101,97	12
22265-20800030046	46	121,2	117,23	16
22265-20800030048	48	125,5	122,32	16
22265-20800030050	50	131,5	127,41	16
22265-20800030052	52	136,6	132,49	16
22265-20800030057	57	149,3	145,22	16
22265-20800030060	60	156	152,85	16
22265-20800030076	76	196,7	193,59	20
22265-20800030080	80	208,1	203,77	20

Sprockets duplex 3/8" x 7/32"

DIN ISO 606

**Material:**

Low-carbon steel.

Version:

Bright, not hardened (cannot be hardened).

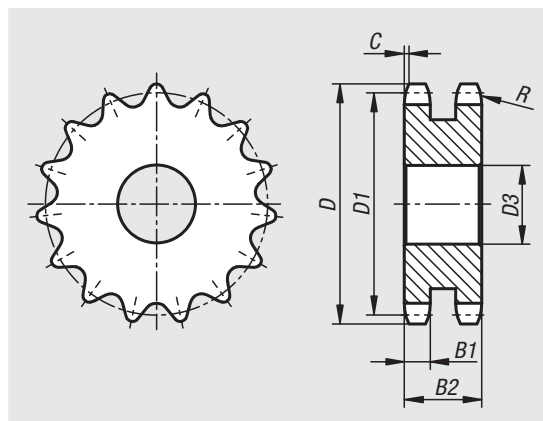
Sample order:

nlm 22265-30380732008

Note:

Sprockets for DIN ISO 606 roller chains.

The disc sprockets have a centre bore or are pre-drilled (this can vary due to production methods). For this reason, the dimension D3 max. given in the table is the maximum diameter of the bore that the disc sprockets are supplied with. This pilot hole/centre bore can be customised with a reamed hole, reamed hole with keyway or a tapped hole by the customer. Alternatively, bushes can be fitted by the customer to reduce the diameter.



Order No.	ISO No.	Pitch inch	Pitch mm	R	C	B1	B2
22265	06 B-2	3/8 x 7/32	9,525 x 5,72	10	1	5,2	15,4

Order No.	No. of teeth	D	D1	D3 max.
22265-30380732008	8	28,6	24,89	8
22265-30380732009	9	31,5	27,85	8
22265-30380732010	10	34,5	30,82	8
22265-30380732011	11	37,5	33,8	10
22265-30380732012	12	40,5	36,8	10
22265-30380732013	13	43,5	39,8	10
22265-30380732014	14	46,5	42,8	10
22265-30380732015	15	49,5	45,81	10
22265-30380732016	16	52,5	48,82	12
22265-30380732017	17	55,5	51,83	12
22265-30380732018	18	58,6	54,85	12
22265-30380732019	19	61,6	57,87	12
22265-30380732020	20	64,6	60,89	12
22265-30380732021	21	67,6	63,91	12
22265-30380732022	22	70,6	66,93	12
22265-30380732023	23	73,7	69,95	12
22265-30380732024	24	76,7	72,97	12
22265-30380732025	25	79,7	76	12
22265-30380732026	26	82,7	79,02	16
22265-30380732027	27	85,7	82,04	16
22265-30380732028	28	88,8	85,07	16

Order No.	No. of teeth	D	D1	D3 max.
22265-30380732029	29	91,8	88,09	16
22265-30380732030	30	94,8	91,12	16
22265-30380732031	31	97,9	94,15	16
22265-30380732032	32	100,9	97,17	16
22265-30380732033	33	103,9	100,2	16
22265-30380732034	34	106,9	103,23	16
22265-30380732035	35	110	106,26	16
22265-30380732036	36	113	109,29	16
22265-30380732037	37	116	112,32	16
22265-30380732038	38	119	115,34	16
22265-30380732039	39	122,1	118,37	16
22265-30380732040	40	125,1	121,4	16
22265-30380732041	41	129	124,43	20
22265-30380732042	42	132,1	127,46	20
22265-30380732043	43	135,1	130,49	20
22265-30380732044	44	138,1	133,52	20
22265-30380732045	45	141,1	136,54	20
22265-30380732046	46	144,2	139,58	20
22265-30380732048	48	150,2	145,64	20
22265-30380732049	49	153,3	148,66	20
22265-30380732050	50	156,3	151,69	20

Sprockets duplex 3/8" x 7/32"

DIN ISO 606

Order No.	No. of teeth	D	D1	D3 max.
22265-30380732051	51	159,3	154,72	20
22265-30380732052	52	162,4	157,75	20
22265-30380732053	53	165,4	160,78	20
22265-30380732054	54	168,4	163,82	20
22265-30380732055	55	171,4	166,85	20
22265-30380732056	56	174,5	169,88	20
22265-30380732057	57	177,5	172,91	20
22265-30380732058	58	180,5	175,93	20
22265-30380732060	60	186,6	181,99	20
22265-30380732062	62	192,7	188,06	25
22265-30380732064	64	198,7	194,12	25
22265-30380732065	65	201,8	197,15	25
22265-30380732068	68	210,8	206,24	25
22265-30380732070	70	216,9	212,3	25
22265-30380732072	72	223	218,37	25
22265-30380732075	75	232,1	227,46	25
22265-30380732076	76	235,1	230,49	25
22265-30380732080	80	247,2	242,61	25
22265-30380732085	85	262,4	257,77	25
22265-30380732090	90	277,5	272,93	25
22265-30380732095	95	292,7	288,08	25
22265-30380732100	100	307,8	303,25	25
22265-30380732110	110	338,2	333,55	25
22265-30380732114	114	350,3	345,68	25
22265-30380732120	120	368,5	363,86	25
22265-30380732125	125	383,6	379,02	25

Sprockets duplex 1/2" x 5/16"

DIN ISO 606

**Material:**

Low-carbon steel.

Version:

Bright, not hardened (cannot be hardened).

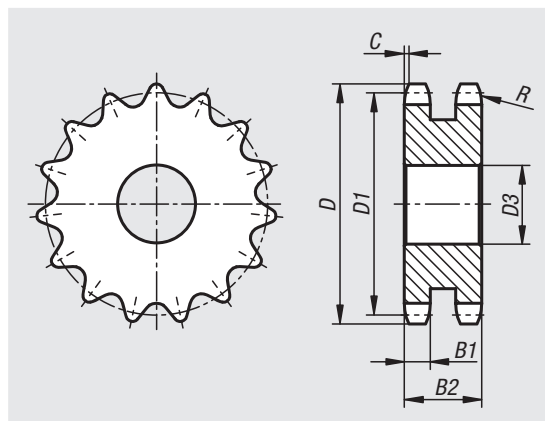
Sample order:

nlm 22265-30120516008

Note:

Sprockets for DIN ISO 606 roller chains.

The disc sprockets have a centre bore or are pre-drilled (this can vary due to production methods). For this reason, the dimension D3 max. given in the table is the maximum diameter of the bore that the disc sprockets are supplied with. This pilot hole/centre bore can be customised with a reamed hole, reamed hole with keyway or a tapped hole by the customer. Alternatively, bushes can be fitted by the customer to reduce the diameter.



Order No.	ISO No.	Pitch inch	Pitch mm	R	C	B1	B2
22265	08 B-2	1/2 x 5/16	12,7 x 7,75	13	1,3	7	21

Order No.	No. of teeth	D	D1	D3 max.
22265-30120516008	8	38	33,18	10
22265-30120516009	9	42	37,13	10
22265-30120516010	10	45,9	41,1	10
22265-30120516011	11	49,9	45,07	10
22265-30120516012	12	53,9	49,07	10
22265-30120516013	13	57,9	53,06	10
22265-30120516014	14	61,9	57,07	10
22265-30120516015	15	65,9	61,09	10
22265-30120516016	16	69,9	65,1	12
22265-30120516017	17	74	69,11	12
22265-30120516018	18	78	73,14	12
22265-30120516019	19	82	77,16	12
22265-30120516020	20	86	81,19	12
22265-30120516021	21	90,1	85,22	16
22265-30120516022	22	94,1	89,24	16
22265-30120516023	23	98,1	93,27	16
22265-30120516024	24	102,1	97,29	16
22265-30120516025	25	106,2	101,33	16
22265-30120516026	26	110,2	105,36	16
22265-30120516027	27	114,2	109,4	16
22265-30120516028	28	118,3	113,42	16

Order No.	No. of teeth	D	D1	D3 max.
22265-30120516029	29	122,3	117,46	16
22265-30120516030	30	126,3	121,5	16
22265-30120516031	31	130,4	125,54	16
22265-30120516032	32	134,4	129,56	16
22265-30120516033	33	138,4	133,6	16
22265-30120516034	34	142,5	137,64	16
22265-30120516035	35	146,5	141,68	16
22265-30120516036	36	150,6	145,72	20
22265-30120516037	37	154,6	149,76	20
22265-30120516038	38	158,6	153,8	20
22265-30120516039	39	162,7	157,83	20
22265-30120516040	40	166,7	161,87	20
22265-30120516041	41	172,4	165,91	20
22265-30120516042	42	176,5	169,95	20
22265-30120516043	43	180,5	173,99	20
22265-30120516044	44	184,6	178,03	20
22265-30120516045	45	188,6	182,07	20
22265-30120516046	46	192,6	186,1	20
22265-30120516048	48	200,7	194,18	20
22265-30120516049	49	204,8	198,22	20
22265-30120516050	50	208,8	202,26	20

Sprockets duplex 1/2" x 5/16"

DIN ISO 606

Order No.	No. of teeth	D	D1	D3 max.
22265-30120516051	51	212,8	206,3	25
22265-30120516052	52	216,9	210,34	25
22265-30120516053	53	220,9	214,37	25
22265-30120516054	54	225	218,43	25
22265-30120516055	55	229	222,46	25
22265-30120516056	56	233	226,5	25
22265-30120516057	57	237,1	230,54	25
22265-30120516058	58	241,1	234,58	25
22265-30120516060	60	249,2	242,66	25
22265-30120516062	62	257,3	250,75	25
22265-30120516064	64	265,4	258,82	25
22265-30120516065	65	269,4	262,86	25
22265-30120516068	68	281,5	274,99	25
22265-30120516070	70	289,6	283,07	25
22265-30120516072	72	297,7	291,16	25
22265-30120516075	75	309,8	303,27	25
22265-30120516076	76	313,9	307,33	25
22265-30120516080	80	330	323,48	25
22265-30120516085	85	350,2	343,69	25
22265-30120516090	90	370,4	363,9	25
22265-30120516095	95	390,7	384,11	25
22265-30120516100	100	410,9	404,31	25
22265-30120516110	110	451,3	444,74	25
22265-30120516114	114	467,4	460,9	25
22265-30120516120	120	491,7	485,16	25
22265-30120516125	125	511	505,37	25

Sprockets, duplex 5/8" x 3/8"

DIN ISO 606

**Material:**

Low-carbon steel.

Version:

Bright, not hardened (cannot be hardened).

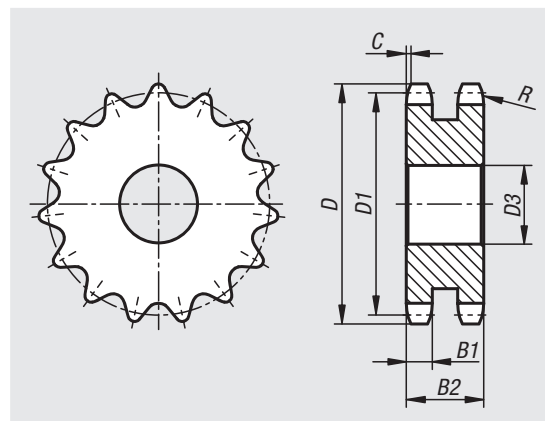
Sample order:

nlm 22265-30580308008

Note:

Sprockets for DIN ISO 606 roller chains.

The disc sprockets have a centre bore or are pre-drilled (this can vary due to production methods). For this reason, the dimension D3 max. given in the table is the maximum diameter of the bore that the disc sprockets are supplied with. This pilot hole/centre bore can be customised with a reamed hole, reamed hole with keyway or a tapped hole by the customer. Alternatively, bushes can be fitted by the customer to reduce the diameter.



Order No.	ISO No.	Pitch inch	Pitch mm	R	C	B1	B2
22265	10 B-2	5/8 x 3/8	15,875 x 9,65	16	1,6	9	25,5

Order No.	No. of teeth	D	D1	D3 max.
22265-30580308008	8	48,4	41,48	10
22265-30580308009	9	53,3	46,42	10
22265-30580308010	10	58,3	51,37	10
22265-30580308011	11	63,2	56,34	10
22265-30580308012	12	68,2	61,34	10
22265-30580308013	13	73,2	66,32	10
22265-30580308014	14	78,2	71,34	10
22265-30580308015	15	83,2	76,36	12
22265-30580308016	16	88,3	81,37	12
22265-30580308017	17	93,3	86,39	12
22265-30580308018	18	98,3	91,42	12
22265-30580308019	19	103,3	96,45	12
22265-30580308020	20	108,4	101,49	12
22265-30580308021	21	113,4	106,52	16
22265-30580308022	22	118,4	111,55	16
22265-30580308023	23	123,5	116,58	16
22265-30580308024	24	128,5	121,62	16
22265-30580308025	25	133,6	126,66	16
22265-30580308026	26	138,6	131,7	20
22265-30580308027	27	143,6	136,75	20
22265-30580308028	28	148,7	141,78	20

Order No.	No. of teeth	D	D1	D3 max.
22265-30580308029	29	153,7	146,83	20
22265-30580308030	30	158,8	151,87	20
22265-30580308031	31	163,8	156,92	20
22265-30580308032	32	168,9	161,95	20
22265-30580308033	33	173,9	167	20
22265-30580308034	34	178,9	172,05	20
22265-30580308035	35	184	177,1	20
22265-30580308036	36	189	182,15	20
22265-30580308037	37	194,1	187,2	20
22265-30580308038	38	199,1	192,24	20
22265-30580308039	39	204,2	197,29	20
22265-30580308040	40	209,2	202,34	20
22265-30580308042	42	220,8	212,44	25
22265-30580308043	43	225,9	217,49	25
22265-30580308044	44	230,9	222,53	25
22265-30580308045	45	236	227,58	25
22265-30580308046	46	241	236,63	25
22265-30580308047	47	246,1	237,68	25
22265-30580308048	48	251,1	242,73	25
22265-30580308050	50	261,2	252,82	25
22265-30580308052	52	271,3	262,92	25

Sprockets, duplex 5/8" x 3/8"

DIN ISO 606

Order No.	No. of teeth	D	D1	D3 max.
22265-30580308053	53	276,4	267,97	25
22265-30580308054	54	281,4	273,03	25
22265-30580308055	55	286,5	278,08	25
22265-30580308056	56	291,5	283,13	25
22265-30580308057	57	296,6	288,18	25
22265-30580308058	58	301,6	293,23	25
22265-30580308060	60	311,7	303,32	25
22265-30580308062	62	321,8	313,43	25
22265-30580308065	65	337	328,58	25
22265-30580308066	66	342	333,63	25
22265-30580308070	70	362,2	353,84	25
22265-30580308072	72	372,3	363,95	25
22265-30580308075	75	387,5	379,09	25
22265-30580308076	76	392,5	384,16	25
22265-30580308080	80	412,7	404,35	25
22265-30580308085	85	438	429,62	30
22265-30580308090	90	463,3	454,88	30
22265-30580308095	95	488,5	480,14	30
22265-30580308100	100	513,8	505,4	30
22265-30580308114	114	584,5	576,13	30
22265-30580308120	120	614,8	606,44	30
22265-30580308125	125	640,1	631,71	30

Sprockets duplex 3/4" x 7/16"

DIN ISO 606

**Material:**

Low-carbon steel.

Version:

Bright, not hardened (cannot be hardened).

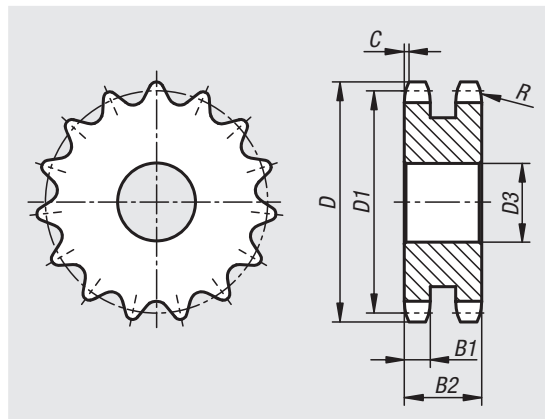
Sample order:

nlm 22265-30340716008

Note:

Sprockets for DIN ISO 606 roller chains.

The disc sprockets have a centre bore or are pre-drilled (this can vary due to production methods). For this reason, the dimension D3 max. given in the table is the maximum diameter of the bore that the disc sprockets are supplied with. This pilot hole/centre bore can be customised with a reamed hole, reamed hole with keyway or a tapped hole by the customer. Alternatively, bushes can be fitted by the customer to reduce the diameter.



Order No.	ISO No.	Pitch inch	Pitch mm	R	C	B1	B2
22265	12 B-2	3/4 x 7/16	19,05 x 11,68	19	2	10,8	30,3

Order No.	No. of teeth	D	D1	D3 max.
22265-30340716008	8	58	49,78	12
22265-30340716009	9	63,9	55,7	12
22265-30340716010	10	69,8	61,64	12
22265-30340716011	11	75,8	67,61	12
22265-30340716012	12	81,8	73,5	14
22265-30340716013	13	87,8	79,59	14
22265-30340716014	14	93,8	85,61	16
22265-30340716015	15	99,8	91,63	16
22265-30340716016	16	105,8	97,65	16
22265-30340716017	17	111,9	103,67	16
22265-30340716018	18	117,9	109,71	16
22265-30340716019	19	123,9	115,75	16
22265-30340716020	20	130	121,78	16
22265-30340716021	21	136	127,82	20
22265-30340716022	22	142	133,86	20
22265-30340716023	23	148,1	139,9	20
22265-30340716024	24	154,1	145,94	20
22265-30340716025	25	160,2	152	20
22265-30340716026	26	166,2	158,04	20
22265-30340716027	27	172,3	164,09	20
22265-30340716028	28	178,3	170,13	20

Order No.	No. of teeth	D	D1	D3 max.
22265-30340716029	29	184,4	176,19	20
22265-30340716030	30	190,4	182,25	20
22265-30340716031	31	196,5	188,31	20
22265-30340716032	32	202,5	194,35	20
22265-30340716033	33	208,6	200,4	20
22265-30340716034	34	214,6	206,46	20
22265-30340716035	35	220,7	212,52	20
22265-30340716036	36	226,8	218,58	25
22265-30340716037	37	232,8	224,64	25
22265-30340716038	38	238,9	230,69	25
22265-30340716039	39	244,9	236,75	25
22265-30340716040	40	251	242,81	25
22265-30340716041	41	258,9	248,87	25
22265-30340716042	42	265	254,93	25
22265-30340716043	43	271,1	260,98	25
22265-30340716044	44	277,1	267,03	25
22265-30340716045	45	283,2	273,1	25
22265-30340716046	46	289,2	279,16	25
22265-30340716047	47	295,3	285,21	25
22265-30340716048	48	301,4	291,27	25
22265-30340716050	50	313,5	303,39	25

Sprockets duplex 3/4" x 7/16"

DIN ISO 606

Order No.	No. of teeth	D	D1	D3 max.
22265-30340716052	52	325,6	315,5	25
22265-30340716054	54	337,7	327,64	25
22265-30340716055	55	343,8	333,7	25
22265-30340716056	56	349,8	339,75	25
22265-30340716057	57	355,9	345,81	25
22265-30340716058	58	362	351,87	25
22265-30340716060	60	374,1	363,99	25
22265-30340716064	64	398,3	388,24	30
22265-30340716065	65	404,4	394,29	30
22265-30340716068	68	422,6	412,49	30
22265-30340716070	70	434,7	424,61	30
22265-30340716072	72	446,8	436,74	30
22265-30340716075	75	465	454,91	30
22265-30340716076	76	471,1	460,99	30
22265-30340716080	80	495,3	485,22	30
22265-30340716085	85	525,6	515,55	30
22265-30340716090	90	555,9	545,86	30
22265-30340716095	95	586,2	576,17	30
22265-30340716100	100	616,6	606,47	30
22265-30340716114	114	701,4	691,36	30
22265-30340716125	125	768,1	758,05	30

Sprockets duplex 1" x 17,02 mm

DIN ISO 606

**Material:**

Low-carbon steel.

Version:

Bright, not hardened (cannot be hardened).

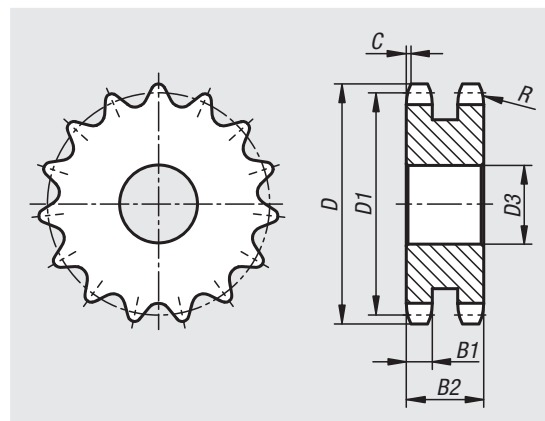
Sample order:

nlm 22265-31001702008

Note:

Sprockets for DIN ISO 606 roller chains.

The disc sprockets have a centre bore or are pre-drilled (this can vary due to production methods). For this reason, the dimension D3 max. given in the table is the maximum diameter of the bore that the disc sprockets are supplied with. This pilot hole/centre bore can be customised with a reamed hole, reamed hole with keyway or a tapped hole by the customer. Alternatively, bushes can be fitted by the customer to reduce the diameter.



Order No.	ISO No.	Pitch inch	Pitch mm	R	C	B1	B2
22265	16 B-2	1 x 17,02mm	25,4 x 17,02	26	2,5	15,8	47,7

Order No.	No. of teeth	D	D1	D3 max.
22265-31001702008	8	77,9	66,37	16
22265-31001702009	9	85,8	74,27	16
22265-31001702010	10	93,8	82,19	16
22265-31001702011	11	101,7	90,14	20
22265-31001702012	12	109,7	98,14	20
22265-31001702013	13	117,7	106,12	20
22265-31001702014	14	125,7	114,15	20
22265-31001702015	15	133,7	122,17	20
22265-31001702016	16	141,8	130,2	20
22265-31001702017	17	149,8	138,22	20
22265-31001702018	18	157,8	146,28	20
22265-31001702019	19	165,9	154,33	20
22265-31001702020	20	173,9	162,38	20
22265-31001702021	21	182	170,43	25
22265-31001702022	22	190,1	178,48	25
22265-31001702023	23	198,1	186,53	25
22265-31001702024	24	206,2	194,59	25
22265-31001702025	25	214,2	202,66	25
22265-31001702026	26	222,3	210,72	25
22265-31001702027	27	230,4	218,79	25
22265-31001702028	28	238,4	226,85	25

Order No.	No. of teeth	D	D1	D3 max.
22265-31001702029	29	246,5	234,92	25
22265-31001702030	30	254,6	243	25
22265-31001702031	31	262,6	251,08	25
22265-31001702032	32	270,7	259,13	25
22265-31001702033	33	278,8	267,21	25
22265-31001702034	34	286,9	275,28	25
22265-31001702035	35	294,9	283,36	25
22265-31001702036	36	303	291,44	25
22265-31001702037	37	311,1	299,51	25
22265-31001702038	38	319,2	307,59	25
22265-31001702039	39	327,2	315,67	25
22265-31001702040	40	335,3	323,73	25
22265-31001702042	42	353,7	339,9	25
22265-31001702044	44	369,8	356,06	25
22265-31001702045	45	377,9	364,12	25
22265-31001702046	46	386	372,21	25
22265-31001702048	48	402,1	388,36	25
22265-31001702050	50	418,3	404,52	25
22265-31001702052	52	434,5	420,67	30
22265-31001702055	55	458,7	444,93	30
22265-31001702056	56	466,8	453,01	40

Sprockets duplex 1" x 17,02 mm

DIN ISO 606

Order No.	No. of teeth	D	D1	D3 max.
22265-31001702057	57	474,9	461,07	40
22265-31001702060	60	499,1	485,32	40
22265-31001702062	62	515,3	501,5	40
22265-31001702065	65	539,5	525,73	40
22265-31001702068	68	563,8	549,98	40
22265-31001702070	70	579,9	566,14	40
22265-31001702072	72	596,1	582,32	40
22265-31001702075	75	620,3	606,55	40
22265-31001702076	76	628,4	614,65	40
22265-31001702080	80	660,7	646,96	40
22265-31001702085	85	701,2	687,4	40
22265-31001702090	90	741,6	727,81	40
22265-31001702095	95	782	768,22	40
22265-31001702100	100	822,4	808,63	40
22265-31001702114	114	935,6	921,82	40
22265-31001702125	125	1024,5	1010,73	40

Sprockets duplex 1 1/4" x 3/4"

DIN ISO 606

**Material:**

Low-carbon steel.

Version:

Bright, not hardened (cannot be hardened).

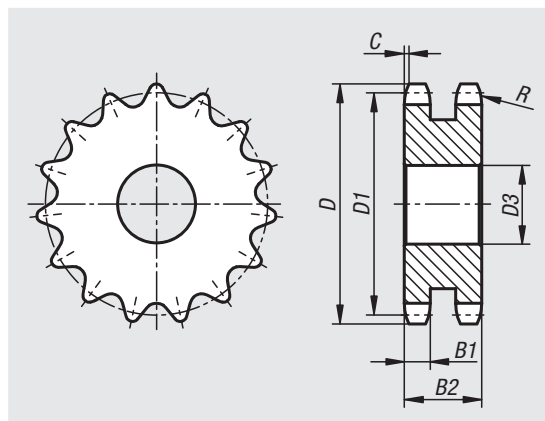
Sample order:

nlm 22265-21140340008

Note:

Sprockets for DIN ISO 606 roller chains.

The disc sprockets have a centre bore or are pre-drilled (this can vary due to production methods). For this reason, the dimension D3 max. given in the table is the maximum diameter of the bore that the disc sprockets are supplied with. This pilot hole/centre bore can be customised with a reamed hole, reamed hole with keyway or a tapped hole by the customer. Alternatively, bushes can be fitted by the customer to reduce the diameter.



Order No.	ISO No.	Pitch inch	Pitch mm	R	C	B1	B2
22265	20 B-2	1 1/4X3/4	31,75 x 19,56	32	3,5	18,2	54,6

Order No.	No. of teeth	D	D1	D3 max.
22265-21140340008	8	96	82,96	20
22265-21140340009	9	106,5	92,84	20
22265-21140340010	10	117	102,74	20
22265-21140340011	11	127	112,68	20
22265-21140340012	12	137	122,68	20
22265-21140340013	13	147,5	132,65	20
22265-21140340014	14	157,6	142,68	20
22265-21140340015	15	167,7	152,72	20
22265-21140340016	16	177,7	162,75	30
22265-21140340017	17	187,7	172,78	30
22265-21140340018	18	197,8	182,85	30
22265-21140340019	19	207,9	192,91	30
22265-21140340020	20	217,9	202,98	30
22265-21140340021	21	228	213,04	30
22265-21140340022	22	238,1	223,11	30
22265-21140340023	23	248,2	233,17	30
22265-21140340024	24	258,3	243,23	30
22265-21140340025	25	268,4	253,33	30
22265-21140340026	26	278,4	263,4	30
22265-21140340027	27	288,5	273,48	30
22265-21140340028	28	298,5	283,56	30
22265-21140340029	29	308,6	293,65	30
22265-21140340030	30	318,7	303,75	30

Order No.	No. of teeth	D	D1	D3 max.
22265-21140340031	31	328,8	313,85	30
22265-21140340032	32	338,9	323,91	30
22265-21140340034	34	359,1	344,1	30
22265-21140340035	35	369,2	354,2	30
22265-21140340036	36	379,2	364,3	30
22265-21140340038	38	399,4	384,49	30
22265-21140340040	40	419,6	404,66	30
22265-21140340042	42	440,8	424,88	30
22265-21140340045	45	471,1	455,17	30
22265-21140340046	46	481,2	465,26	30
22265-21140340048	48	501,4	485,46	30
22265-21140340050	50	521,6	505,65	30
22265-21140340052	52	541,8	525,84	40
22265-21140340057	57	592,3	576,36	40
22265-21140340060	60	622,6	606,65	40
22265-21140340065	65	673,1	657,16	40
22265-21140340070	70	723,6	707,67	40
22265-21140340076	76	784,3	768,32	40
22265-21140340080	80	824,7	808,72	40
22265-21140340095	95	976,2	960,28	40
22265-21140340114	114	1168,2	1152,26	40

Sprockets duplex 1 1/2" x 1"

DIN ISO 606

**Material:**

Low-carbon steel.

Version:

Bright, not hardened (cannot be hardened).

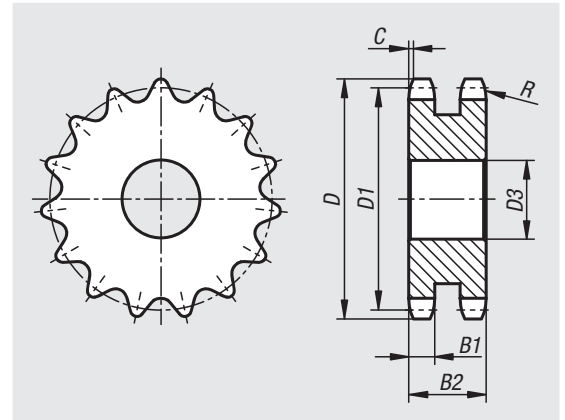
Sample order:

nlm 22265-2112100008

Note:

Sprockets for DIN ISO 606 roller chains.

The disc sprockets have a centre bore or are pre-drilled (this can vary due to production methods). For this reason, the dimension D3 max. given in the table is the maximum diameter of the bore that the disc sprockets are supplied with. This pilot hole/centre bore can be customised with a reamed hole, reamed hole with keyway or a tapped hole by the customer. Alternatively, bushes can be fitted by the customer to reduce the diameter.



Order No.	ISO No.	Pitch inch	Pitch mm	R	C	B1	B2
22265	24 B-2	1 1/2X1	38,1 x 25,4	38	4	23,6	72

Order No.	No. of teeth	D	D1	D3 max.
22265-2112100008	8	113	99,55	25
22265-2112100009	9	125	111,4	25
22265-21121000010	10	137	123,29	25
22265-21121000011	11	149	135,21	25
22265-21121000012	12	161	147,22	25
22265-21121000013	13	173	159,18	25
22265-21121000014	14	185	171,22	25
22265-21121000015	15	197	183,26	25
22265-21121000016	16	209	195,3	30
22265-21121000017	17	221	207,34	30
22265-21121000018	18	233	219,42	30
22265-21121000019	19	245,5	231,49	30
22265-21121000020	20	257,5	243,57	30
22265-21121000021	21	270,5	255,65	30
22265-21121000022	22	282,5	267,73	30
22265-21121000023	23	294,5	279,8	30
22265-21121000024	24	307	291,88	30
22265-21121000025	25	319	304	30
22265-21121000026	26	331	316,08	30
22265-21121000027	27	343	328,19	30
22265-21121000028	28	355	340,27	30
22265-21121000029	29	367,5	352,38	30
22265-21121000030	30	379,5	364,5	30

Order No.	No. of teeth	D	D1	D3 max.
22265-21121000031	31	391,5	376,62	40
22265-21121000032	32	403,5	388,69	40
22265-21121000033	33	415,5	400,81	40
22265-21121000034	34	428	412,93	40
22265-21121000035	35	440	425,04	40
22265-21121000036	36	452	437,16	40
22265-21121000037	37	464	449,27	40
22265-21121000038	38	476,5	461,39	40
22265-21121000040	40	501,5	485,62	40
22265-21121000042	42	525,5	509,85	40
22265-21121000045	45	562	546,2	40
22265-21121000048	48	598,5	582,55	40
22265-21121000050	50	622,5	606,78	40
22265-21121000057	57	707,5	691,63	40
22265-21121000060	60	745	727,97	40
22265-21121000065	65	805,5	788,59	40
22265-21121000076	76	939	921,98	40
22265-21121000095	95	1169	1152,33	40