

Sprockets single 3/8" x 7/32" stainless steel

DIN ISO 606

**Material:**

Stainless steel 1.4305.

Version:

Bright.

Sample order:

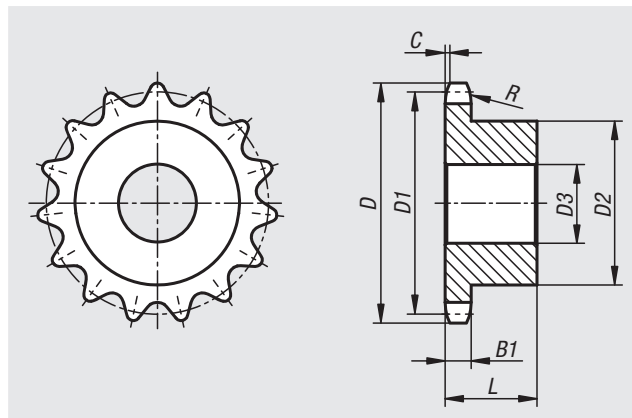
nlm 22255-10380732013

Note:

Sprockets with hub one side for DIN ISO 606 roller chains.

The sprockets have a centre bore or are pre-drilled (this can vary due to production methods). For this reason, the dimension D3 max. given in the table is the maximum diameter of the bore that the sprockets are supplied with.

This pilot hole/centre bore can be customised with a reamed hole, reamed hole with keyway or a tapped hole by the customer. Alternatively, bushes can be fitted by the customer to reduce the diameter.

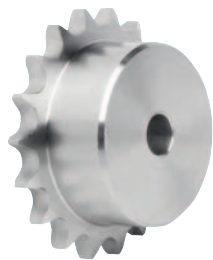


Order No.	ISO No.	Pitch inch	Pitch mm	R	C	B1
22255	06 B-1	3/8 x 7/32	9,525 x 5,72	10	1	5,3

Order No.	No. of teeth	D	D1	D2	D3 max.	L
22255-10380732013	13	43,5	39,8	28	8	25
22255-10380732014	14	46,5	42,8	31	8	25
22255-10380732015	15	49,5	45,81	34	8	25
22255-10380732016	16	52,5	48,82	37	10	28
22255-10380732017	17	55,5	51,83	40	10	28
22255-10380732018	18	58,6	54,85	43	10	28
22255-10380732019	19	61,6	57,87	45	10	28
22255-10380732020	20	64,6	60,89	46	10	28
22255-10380732021	21	67,6	63,91	48	12	28
22255-10380732023	23	73,7	69,95	52	12	28
22255-10380732025	25	79,7	76	57	12	28
22255-10380732030	30	94,8	91,12	60	12	30

Sprockets single 1/2" x 5/16" stainless steel

DIN ISO 606

**Material:**

Stainless steel 1.4305.

Version:

Bright.

Sample order:

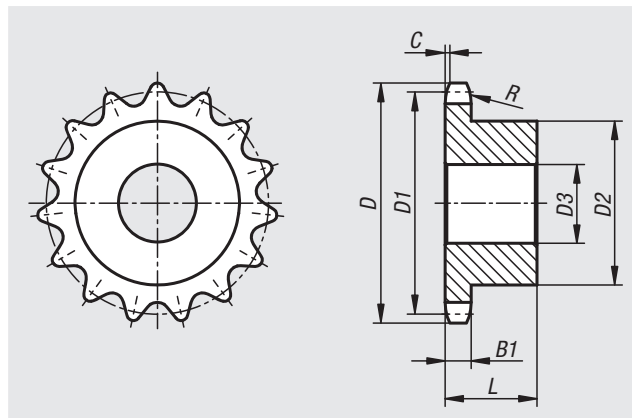
nlm 22255-10120516012

Note:

Sprockets with hub one side for DIN ISO 606 roller chains.

The sprockets have a centre bore or are pre-drilled (this can vary due to production methods). For this reason, the dimension D3 max. given in the table is the maximum diameter of the bore that the sprockets are supplied with.

This pilot hole/centre bore can be customised with a reamed hole, reamed hole with keyway or a tapped hole by the customer. Alternatively, bushes can be fitted by the customer to reduce the diameter.



Order No.	ISO No.	Pitch inch	Pitch mm	R	C	B1
22255	08 B-1	1/2 x 5/16	12,7 x 7,75	13	1,3	7,2

Order No.	No. of teeth	D	D1	D2	D3 max.	L
22255-10120516012	12	53,9	49,07	33	10	28
22255-10120516013	13	57,9	53,06	37	10	28
22255-10120516014	14	61,9	57,07	41	10	28
22255-10120516015	15	65,9	61,09	45	10	28
22255-10120516016	16	69,9	65,1	50	12	28
22255-10120516017	17	74	69,11	52	12	28
22255-10120516018	18	78	73,14	56	12	28
22255-10120516019	19	82	77,16	60	12	28
22255-10120516020	20	86	81,19	64	12	28
22255-10120516021	21	90,1	85,22	68	14	28
22255-10120516023	23	98,1	93,27	70	14	28
22255-10120516025	25	106,2	101,33	70	14	28
22255-10120516030	30	126,3	121,5	80	16	30

Sprockets single 5/8" x 3/8" stainless steel

DIN ISO 606

**Material:**

Stainless steel 1.4305.

Version:

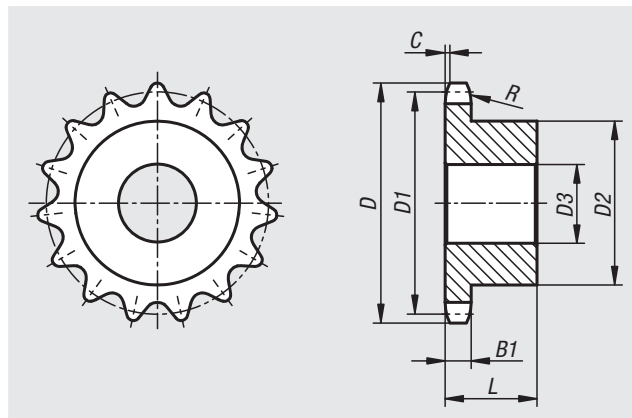
Bright.

Sample order:

nlm 22255-10580308013

Note:

Sprockets with hub one side for DIN ISO 606 roller chains. The sprockets have a centre bore or are pre-drilled (this can vary due to production methods). For this reason, the dimension D3 max. given in the table is the maximum diameter of the bore that the sprockets are supplied with. This pilot hole/centre bore can be customised with a reamed hole, reamed hole with keyway or a tapped hole by the customer. Alternatively, bushes can be fitted by the customer to reduce the diameter.

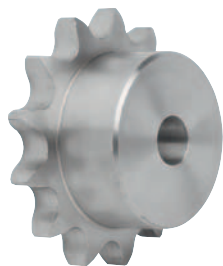


Order No.	ISO No.	Pitch inch	Pitch mm	R	C	B1
22255	10 B-1	5/8 x 3/8	15,875 x 9,65	16	1,6	9,1

Order No.	No. of teeth	D	D1	D2	D3 max.	L
22255-10580308013	13	73,2	66,32	47	12	30
22255-10580308014	14	78,2	71,34	52	12	30
22255-10580308015	15	83,2	76,36	57	12	30
22255-10580308016	16	88,3	81,37	60	12	30
22255-10580308017	17	93,3	86,39	60	12	30
22255-10580308018	18	98,3	91,42	70	14	30
22255-10580308019	19	103,3	96,45	70	14	30
22255-10580308020	20	108,4	101,49	75	14	30
22255-10580308021	21	113,4	106,52	75	16	30
22255-10580308023	23	123,5	116,58	80	16	30
22255-10580308025	25	133,6	126,66	80	16	30
22255-10580308030	30	158,8	151,87	90	20	35

Sprockets single 3/4" x 7/16" stainless steel

DIN ISO 606

**Material:**

Stainless steel 1.4305.

Version:

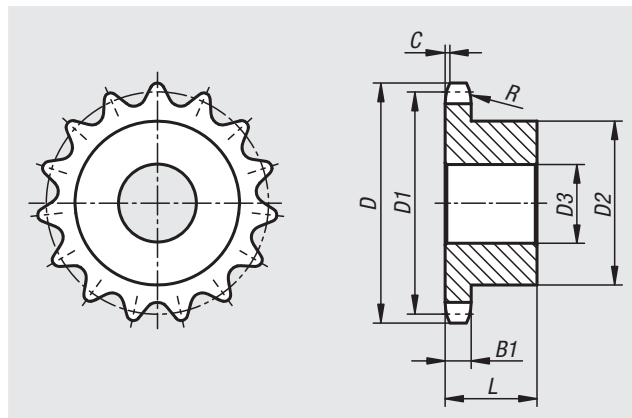
Bright.

Sample order:

nlm 22255-10340716013

Note:

Sprockets with hub one side for DIN ISO 606 roller chains. The sprockets have a centre bore or are pre-drilled (this can vary due to production methods). For this reason, the dimension D3 max. given in the table is the maximum diameter of the bore that the sprockets are supplied with. This pilot hole/centre bore can be customised with a reamed hole, reamed hole with keyway or a tapped hole by the customer. Alternatively, bushes can be fitted by the customer to reduce the diameter.

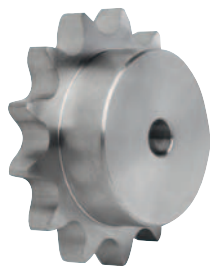


Order No.	ISO No.	Pitch inch	Pitch mm	R	C	B1
22255	12 B-1	3/4 x 7/16	19,05 x 11,68	19	2	11,1

Order No.	No. of teeth	D	D1	D2	D3 max.	L
22255-10340716013	13	87,8	79,59	58	16	35
22255-10340716014	14	93,8	85,61	64	16	35
22255-10340716015	15	99,8	91,63	70	16	35
22255-10340716016	16	105,8	97,65	75	16	35
22255-10340716017	17	111,9	103,67	80	16	35
22255-10340716018	18	117,9	109,71	80	16	35
22255-10340716019	19	123,9	115,75	80	16	35
22255-10340716020	20	130	121,78	80	16	35
22255-10340716021	21	136	127,82	90	20	40
22255-10340716023	23	148,1	139,9	90	20	40
22255-10340716025	25	160,2	152	90	20	40

Sprockets single 1" x 17.02 mm stainless steel

DIN ISO 606

**Material:**

Stainless steel 1.4305.

Version:

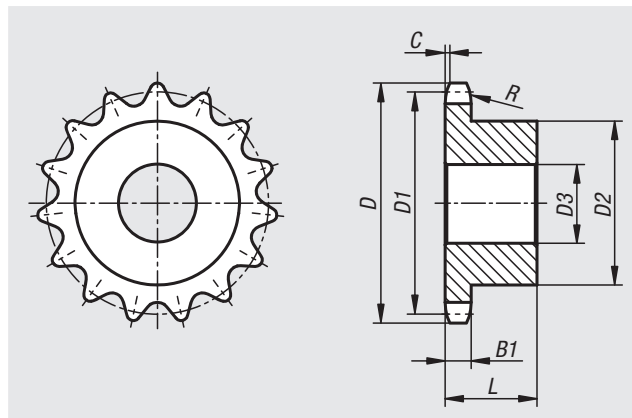
Bright.

Sample order:

nlm 22255-11001702013

Note:

Sprockets with hub one side for DIN ISO 606 roller chains. The sprockets have a centre bore or are pre-drilled (this can vary due to production methods). For this reason, the dimension D3 max. given in the table is the maximum diameter of the bore that the sprockets are supplied with. This pilot hole/centre bore can be customised with a reamed hole, reamed hole with keyway or a tapped hole by the customer. Alternatively, bushes can be fitted by the customer to reduce the diameter.



Order No.	ISO No.	Pitch inch	Pitch mm	R	C	B1
22255	16 B-1	1 x 17,02mm	25,4 x 17,02	26	2,5	16,2

Order No.	No. of teeth	D	D1	D2	D3 max.	L
22255-11001702013	13	117,7	106,12	78	16	40
22255-11001702014	14	125,7	114,15	84	16	40
22255-11001702015	15	133,7	122,17	92	16	40
22255-11001702016	16	141,8	130,2	100	20	45
22255-11001702017	17	149,8	138,22	100	20	45
22255-11001702018	18	157,8	146,28	100	20	45
22255-11001702019	19	165,9	154,33	100	20	45
22255-11001702020	20	173,9	162,38	100	20	45
22255-11001702021	21	182	170,43	110	20	50